

Tension Sensors TS2 Series



Operating Manual

6.0 MAINTENANCE AND SERVICE

The tension meter is easy to maintain. Depending on operating time and load, the instrument should be checked according to the locally valid regulations and conditions. The use of other test methods than the procedure described in section 4.0 may cause deviating measuring results.

6.1 Cleaning

When cleaning the unit, do not use an aggressive solvents, such as trichloroethylene or similar chemicals. No warranty or liability shall be accepted for damage resulting from improper cleaning.

6.2 Care of the Rollers

You should regularly inspect the rollers to assure that they are running easily and smoothly. You can replace the rollers yourself, as necessary. Please indicate the tension meter model and the serial number in your spare-parts order.

6.3 Verifications Interval

The question of finding the right frequency of calibration accuracy verification depends on several different factors:

- Operating time and load of the tension meter
- Tolerance band defined by the customer
- Changes to the tolerance band compared to previous calibrations

Therefore, the interval between verifications of calibration must be determined by the user's Quality Assurance Department, based on the user's experience.

Assuming normal operating time and load as well as careful handling of the tension meter, we recommend a verification interval of one year.

TABLE OF CONTENTS

1.0 Introduction	2
1.1 Delivery	
1.2 Unpacking	
2.0 Available Models	3
2.1 TS2 Models	
2.2 TS2P Models	
2.3 TS2H Models	
2.4 TS2L Models	
2.5 TS2B Models	
3.0 Operating Procedures	6
3.1 Mounting Arrangements	
3.2 Connector Assignment	
3.3 Initial Setup	
3.4 Options	
4.0 Internal Adjustment of the Sensors	8
4.1 ZERO Adjustment	
4.2 GAIN Adjustment	
5.0 Specifications	11
5.1 General Specifications	
6.0 Maintenance & Service	12
6.1 Cleaning	
6.2 Care of the Rollers	
6.3 Verification Interval	
7.0 Warranty	



WARNING

Tensions that exceed the tension range of the instrument by more than 100% may cause permanent damage to the measuring spring and must be avoided under any circumstances.

The device must not be operated in potentially explosive areas and must not come into contact with aggressive substances.

1.0 INTRODUCTION

The TS2 Series of universal tension sensor accurately measure the running tension of wires, cables, yarns, fibers and similar process material.

2.1 Delivery

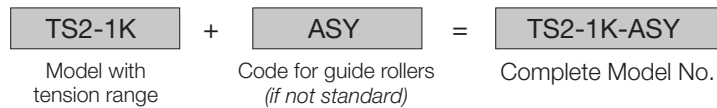
- Sensor (1)
- Operating Instructions (1)

2.2 Unpacking

Unpack the instrument and inspect it for any shipping damage. Notices of defect must be filed immediately, in writing, at the latest within 10 days on receipt of the goods.

2.3 Model and Serial Numbers

The model number, serial number and calibration label (option) are provided on the cylindrical portion of the sensor.



5.0 SPECIFICATIONS

5.1 General Specifications

Calibration	According to factory procedure
Accuracy	For 10% to 100% of range: $\pm 1\%$ Full Scale Other calibration material: $\pm 3\%$ Full Scale or better
Overload Protection	100% of range
Measuring Principle	Strain gauge bridge
Meas. Roller Deflection	0.5 mm, max.
Natural Frequency of Measuring Spring	Approx. 500 Hz, depending on tension range
Signal Processing	Analog
Output Signal	0 - 1 V DC, impedance: $> 5\text{ k}\Omega$ (standard)
Option Code DC	0 - 10 V DC
Damping (fg)	Standard: approx. 30 Hz (other values on request)
Temperature Coefficient	Zero point: less than $\pm 0.05\%$ FS* / °C
Temperature Range	10 – 45 °C
Air Humidity	85% RH, max.
Power Supply	15 to 24 V DC (21mA) (regulated) Option code A3: max. 50 mA
Housing	Aluminium

2.2 TS2P Models



Model	Tension Ranges [g]	*Measuring Head Width [mm]	**Factory Calibration Material
TS2P-50	0 - 50	64	PA: 0.12 mm Ø
TS2P-100	0 - 100	64	PA: 0.12 mm Ø
TS2P-200	0 - 200	64	PA: 0.12 mm Ø
TS2P-500	0 - 500	64	PA: 0.20 mm Ø
TS2P-1K	0 - 1000	64	PA: 0.30 mm Ø

TS2P Guide Rollers

Ceramic Pins	Line Speed [m/min ... max.]	Pin Material
Standard	2000	Oxid ceramic 5.2 mm Ø

2.3 TS2H Models



Model	Tension Ranges [g]	*Measuring Head Width [mm]	**Factory Calibration Material
TS2H-1K	0 - 1000	150	PA: 0.30 mm Ø
TS2H-2K	0 - 2000	150	PA: 0.50 mm Ø
TS2H-5K	0 - 5000	150	PA: 0.80 mm Ø
TS2H-10K	0 - 10 Kg	200	PA: 1.00 mm Ø
TS2H-20K	0 - 20 Kg	240	PA: 1.50 mm Ø
TS2H-50K	0 - 50 Kg	240	Steel rope: 1.5mm Ø (7 x 7 x 0.20)

TS2H Guide Rollers

V-Groove	Line Speed [m/min ... max.]	Roller Material
Standard	4000	Hardened-steel roller
U-Groove Code R1	4000	Hardened-steel roller (radius 5)



WARNING: When threading the process material through the rollers, follow the material path symbol on the front of the sensor. If a force is applied to the middle sensor roller in the incorrect direction, damage could result.

4. Install the sensor in the desired position at the measuring location using the provided mounting holes.
5. Allow approximately ten minutes for thermal stabilization of the sensor.
6. Thread the process material through the measuring and guide rollers, following the material path symbol on the front of the sensor.



WARNING: When threading the process material through the rollers, follow the material path symbol on the front of the sensor. If a force is applied to the middle sensor roller in the incorrect direction, damage could result.

NOTE: Since ZERO and GAIN adjustments are always performed statically, the readings may differ under dynamic load.

7. Hang a weight that corresponds to e.g. 10% of the tension range from the process material.
8. Connect a volt meter to pins 4 and 5 of the connector on the rear side of the unit.
9. Adjust the potentiometer, which you can reach through the ZERO hole in the housing, with a screwdriver (with a point width of max. 1.9 mm) until the display of the connected volt meter reads,

for example:

Sensor model TS2 - 200:

Weight 20 g = Display 0.100 V for the TS2 standard version

or

Weight 20 g = Display 1.00 V for the TS2 version with 10 V output signal.



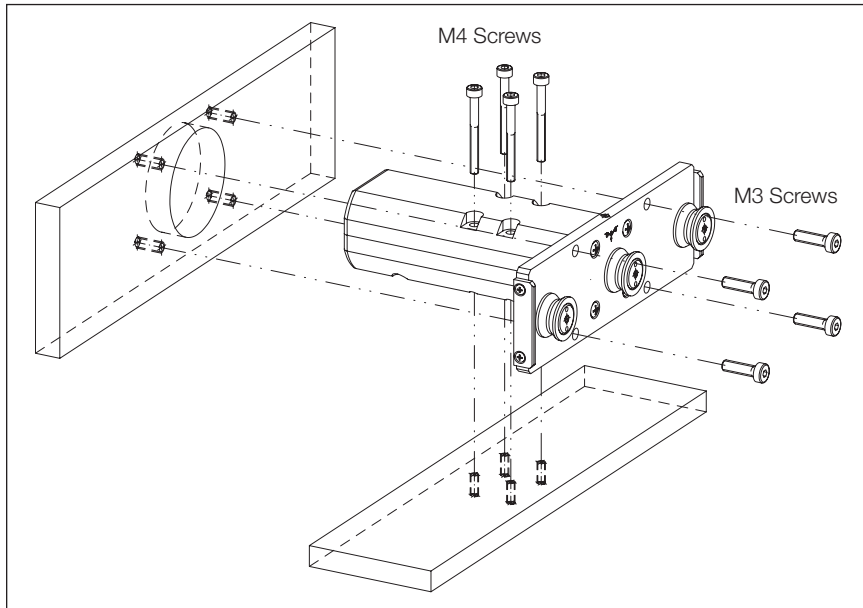
WARNING: Do not insert the screwdriver at an angle as this may damage the potentiometer.

3.0 OPERATING PROCEDURES

3.1 Mounting Arrangements

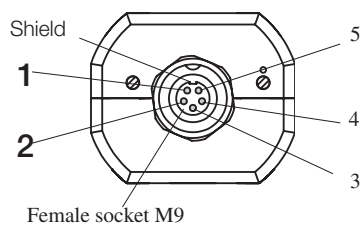
TS2 Series sensors can be mounted in different ways:

- Mounting by using the frontplate on a cylindrical hole (cut out 38.5 - 40 mm Ø)
- Mounting on a flat platform



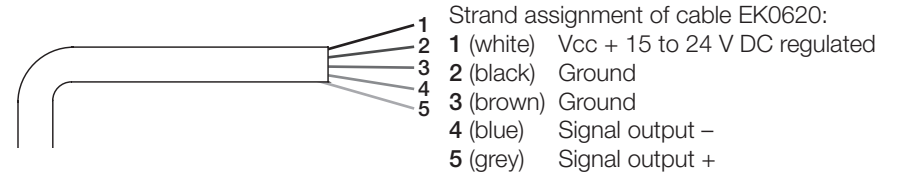
3.2 Connector Assignment

NOTE: To assure immunity to random noise, the measuring head must be installed so that it is insulated from ground (GND). The shield of the connecting cable must be connected to the metal housing of the connecting plug.



Pin assignment viewed from outside:

- 1 - Vcc + 15 to 24 V DC regulated
- 2 - Ground
- 3 - Ground
- 4 - Signal output -
- 5 - Signal output +



3.3 Options

Code **DC** Analog output 0 - 10 V DC

Code **MA** Analog output 4 - 20 mA

3.4 Initial Setup

- Install the sensor at the desired measuring location.
- Connect the sensor to the supplied or existing display unit. The pin assignment of the 5-pin connector located on the rear side of the sensor is described in section 3.2.
- If the material path is other than vertical or if the process material deviates significantly from the factory calibration material, you need to carry out ZERO Adjustment and GAIN Adjustment as described in sections 4.1 and 4.2 before starting measurement.
- Allow approx. 10 minutes for thermal stabilization of the sensor.
- Thread the process material through the measuring and guide rollers, following the material path symbol on the front of the sensor.

7.0 WARRANTY

ELECTROMATIC Equipment Co., Inc. (ELECTROMATIC) warrants to the original purchaser that this product is of merchantable quality and confirms in kind and quality with the descriptions and specifications thereof. Product failure or malfunction arising out of any defect in workmanship or material in the product existing at the time of delivery thereof which manifests itself within one year from the sale of such product, shall be remedied by repair or replacement of such product, at ELECTROMATIC's option, except where unauthorized repair, disassembly, tampering, abuse or misapplication has taken place, as determined by ELECTROMATIC. All returns for warranty or non-warranty repairs and/or replacement must be authorized by ELECTROMATIC, in advance, with all repacking and shipping expenses to the address below to be borne by the purchaser.

THE FOREGOING WARRANTY IS IN LIEU OF ALL OTHER WARRANTIES, EXPRESSED OR IMPLIED, INCLUDING BUT NOT LIMITED TO, THE WARRANTY OF MERCHANTABILITY AND FITNESS FOR ANY PARTICULAR PURPOSE OR APPLICATION. ELECTROMATIC SHALL NOT BE RESPONSIBLE NOR LIABLE FOR ANY CONSEQUENTIAL DAMAGE, OF ANY KIND OR NATURE, RESULTING FROM THE USE OF SUPPLIED EQUIPMENT, WHETHER SUCH DAMAGE OCCURS OR IS DISCOVERED BEFORE, UPON OR AFTER REPLACEMENT OR REPAIR, AND WHETHER OR NOT SUCH DAMAGE IS CAUSED BY MANUFACTURER'S OR SUPPLIER'S NEGLIGENCE WITHIN ONE YEAR FROM INVOICE DATE.

Some State jurisdictions or States do not allow the exclusion or limitation of incidental or consequential damages, so the above limitation may not apply to you. The duration of any implied warranty, including, without limitation, fitness for any particular purpose and merchantability with respect to this product, is limited to the duration of the foregoing warranty. Some states do not allow limitations on how long an implied warranty lasts but, notwithstanding, this warranty, in the absence of such limitations, shall extend for one year from the date of invoice.

ELECTROMATIC Equipment Co., Inc.
600 Oakland Ave. Cedarhurst, NY 11516—USA
Tel: 1-800-645-4330/ Tel: 516-295-4300/ Fax: 516-295-4399

Every precaution has been taken in the preparation of this manual. Electromatic Equipment Co., Inc., assumes no responsibility for errors or omissions. Neither is any liability assumed for damages resulting from the use of information contained herein. Any brand or product names mentioned herein are used for identification purposes only, and are trademarks or registered trademarks of their respective holders