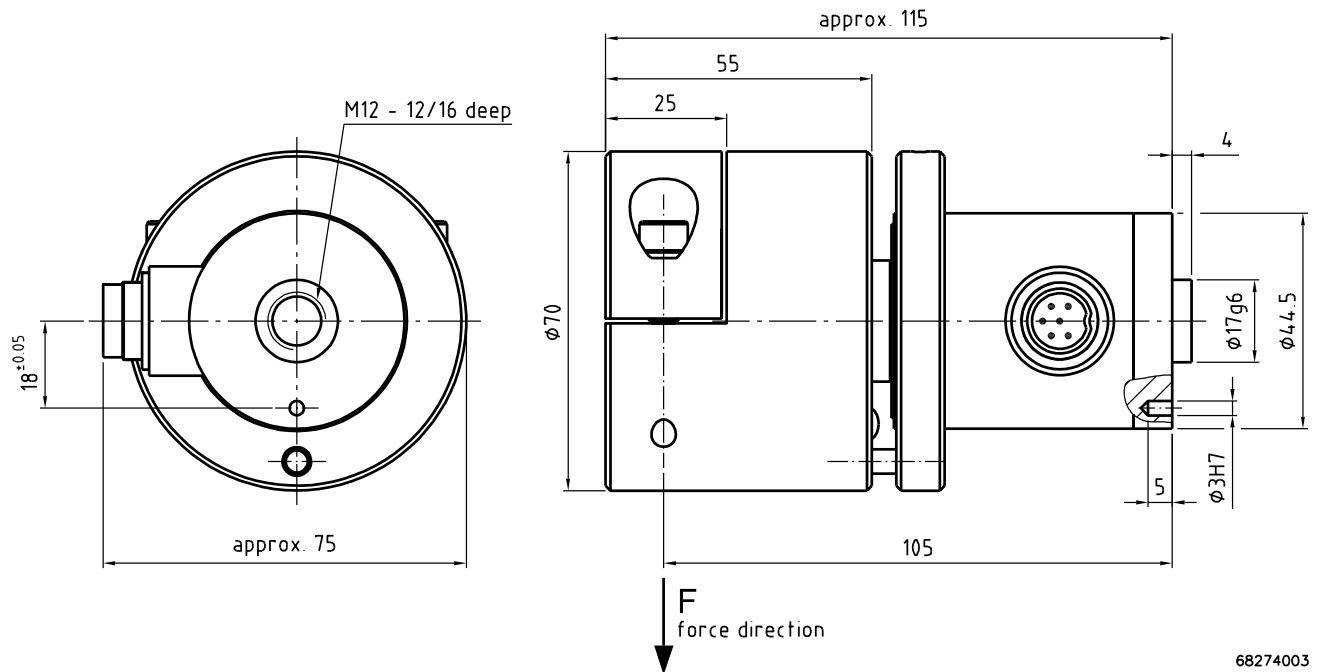


**Scale drawing**



All dimensions in mm

**Rated measuring ranges**

Nominal force [N]				
100	300	600	1200	2000

The measuring range of the sensor begins at force's zero point.  
Nominal forces differing from the list are available.

**Order code**

	<b>RMA-DS</b>	<b>2</b>	<b>- 600</b>
<b>Sensor type</b>			
<b>Construction size</b>			
<b>Nominal force [N]</b>			

**Scope of supply**

Sensor

### Special designs

- nominal forces differing from standard
- sensor housing and measuring cell made out of stainless steel, for use in humid environment
- advanced temperature range

### Accessories

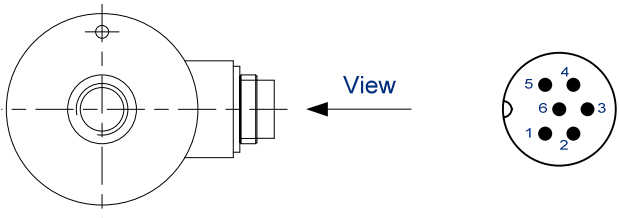
- female cable connector as mating plug
- connection cable (female cable connector / open ends)
- connection cable (female cable connector / male cable connector)
- connection terminal 2/1

### Technical data

Rated measuring ranges (FN)	<b>N</b>	0...100; 0...300; 0...600; 0...1200; 0...2000
Rated output	<b>mV/V</b>	0,7
Rated output tolerance	<b>%</b>	< ±0,2
Accuracy class		0,2
Accumulated error	<b>% F<sub>N</sub></b>	< ±0,2
Excitation voltage max.	<b>V</b>	12
Reference excitation voltage	<b>V</b>	4,5
Input resistance	<b>Ω</b>	350 ±3
Output resistance	<b>Ω</b>	350 ±2
Isolation resistance	<b>GΩ</b>	> 5
Nominal temperature range	<b>°C</b>	0...50
Operational temperature range	<b>°C</b>	-10...70
Storage temperature range	<b>°C</b>	-30...90
Reference temperature	<b>°C</b>	23
Temperature influence per 10 K		
- on the zero point (TK0)	<b>% F<sub>N</sub></b>	< ±0,1
- on the calibration (TKC)	<b>% F<sub>N</sub></b>	< ±0,2
Creep after 30 minutes	<b>% F<sub>N</sub></b>	< ±0,1
Relative reversal error	<b>% F<sub>N</sub></b>	< ±0,2
Service load	<b>% F<sub>N</sub></b>	300
Ultimate load	<b>% F<sub>N</sub></b>	400
Breaking load	<b>% F<sub>N</sub></b>	> 500
Ultimate side load	<b>% F<sub>N</sub></b>	300
Dynamic load limit (DIN 50100)	<b>% F<sub>N</sub></b>	50
Axial torsional moment limit	<b>Nm</b>	35
Deflection at nominal force	<b>mm</b>	< 0,04
Natural frequency of the sensor	<b>kHz</b>	> 2
Weight	<b>g</b>	approx. 2000
Surface protection		black-finished
Protection class		IP 54

**Connections**

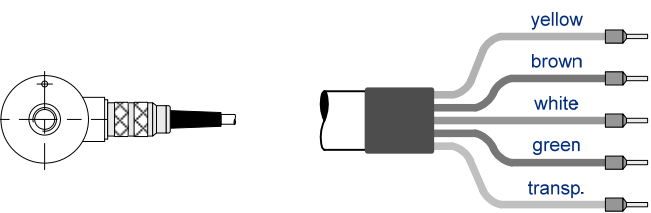
**Male socket**



1	+ U <sub>Br</sub>	Excitation
2	- U <sub>Br</sub>	
3	Pin not connected	
4	+ U <sub>Sig</sub>	Output
5	- U <sub>Sig</sub>	
6	Reserved	

68274001

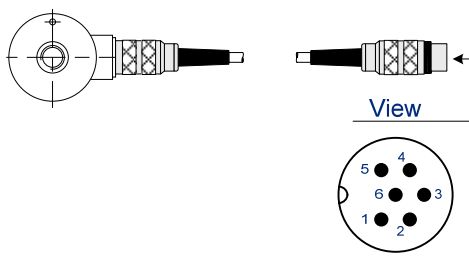
**Connection cable (female cable connector / open ends)**



yellow	+ U <sub>Br</sub>	Excitation
brown	- U <sub>Br</sub>	
white	+ U <sub>Sig</sub>	Output
green	- U <sub>Sig</sub>	
transp.	Shield (not connected to housing)	

69147002

**Connection cable (female cable connector / male cable connector)**



1	+ U <sub>Br</sub>	Excitation
2	- U <sub>Br</sub>	
3	Shield (not connected to housing)	
4	+ U <sub>Sig</sub>	Output
5	- U <sub>Sig</sub>	
6	Reserved	

69147001

Technical design subject to change without prior notice. © 2009 by Honigmann

Honigmann Industrielle Elektronik GmbH • Krebsstraße 2-8 • D-42889 Wuppertal • ☎ +49-202-622026 • 📠 +49-202-63568