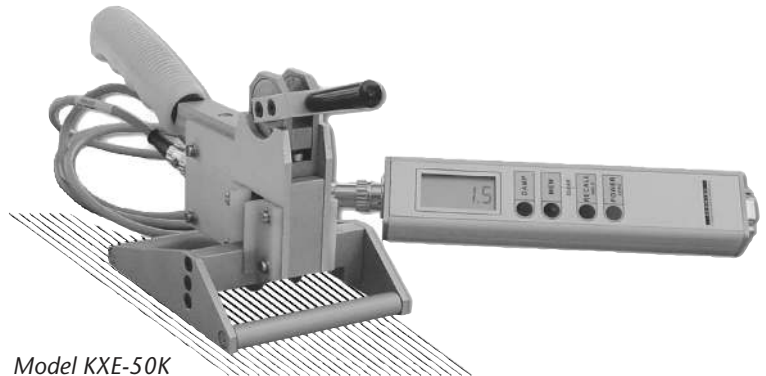


Series KXE

Portable electronic Tension Meter up to 50 daN with output signals - analog and digital output and digital display to measure tension of groups of yarns, e.g. for sizing and weaving

Special features

- Portable measuring head to measure yarn groups of 50 mm width
- The sensor can easily be engaged or disengaged while the machine is running
- Storage of Last, Average, MAX, MIN, PEAK_{max}, PEAK_{min} tension values during an operator set measuring period
- Outputs are available: Analog (0-2 V DC), Digital (RS232)
- Storage of 4000 readings, which can be downloaded to a PC
- Display unit is battery operated
- Rollers ball-bearing mounted
- Communication frequency 80 Hz



Model KXE-50K

Operating features

- Special designed yarn catching system
- For easy adjusting machines of the same construction to compare tension values
- Measurements can be made over the total width of the loom
- Width of outer roller 100 mm, measuring roller width 50 mm
- Communication with the display unit using standard programs, e.g. Terminal, Win Wedge, Dasy Lab, etc.

Available Models

Type	Tension Ranges daN
KXE-20K	0.5 - 20 daN
KXE-50K	0.5 - 50 daN

Technical Data

Calibration:	According Schmidt factory procedure
Accuracy:	For 10% to 90 % of range: ± 1% Full Scale and ± 1 digit for remainder of range: ± 3% Full Scale and ± 1 digit
Overrange (approx.):	10 % Full Scale, without accuracy guarantee
Overload protection:	150 % Full Scale
Sampling rate:	max. 5 kHz internal only
Damping:	adjustable electronic damping (Moving averaging)
Display:	4 digit, 11 mm high
Display update time:	2 times / sec.
Output signal:	Analog: 0 - 2 V DC, linearized, conversion rate approx. 100 Hz Digital: RS 232 (19200, 8, N, 1), data rate 80 readings/sec (Hz)
Memory:	Last, Average, MAX, MIN, MAX _{Peak} , MIN _{Peak} , max. 4000 values
Communications frequency:	1 each 10 sec to max. 80 readings / sec
Connecting cable:	Sensor to display unit 1.5 m
Temperature range:	10 - 45° C
Air humidity:	85 % RH, max.
Power supply:	9 V E block, e.g. long life 9 V lithium (approx. 50 hours of continuous use)
Housing material:	Display unit: Aluminium profile with plastic outer casing (PVC), Sensor: Aluminium
Housing dimensions:	Display unit: 230 x 45 x 48 mm (LxWxH) Sensor: 165 x 110 x 140 mm (LxWxH)
Weight, net (gross):	Display: approx. 370 g (1050 g), Sensor: 1050 g (1500 g)



"Tension Inspect" software
 Main features: display of tension values, tension graph, storage of readings, statistics, set-up menu