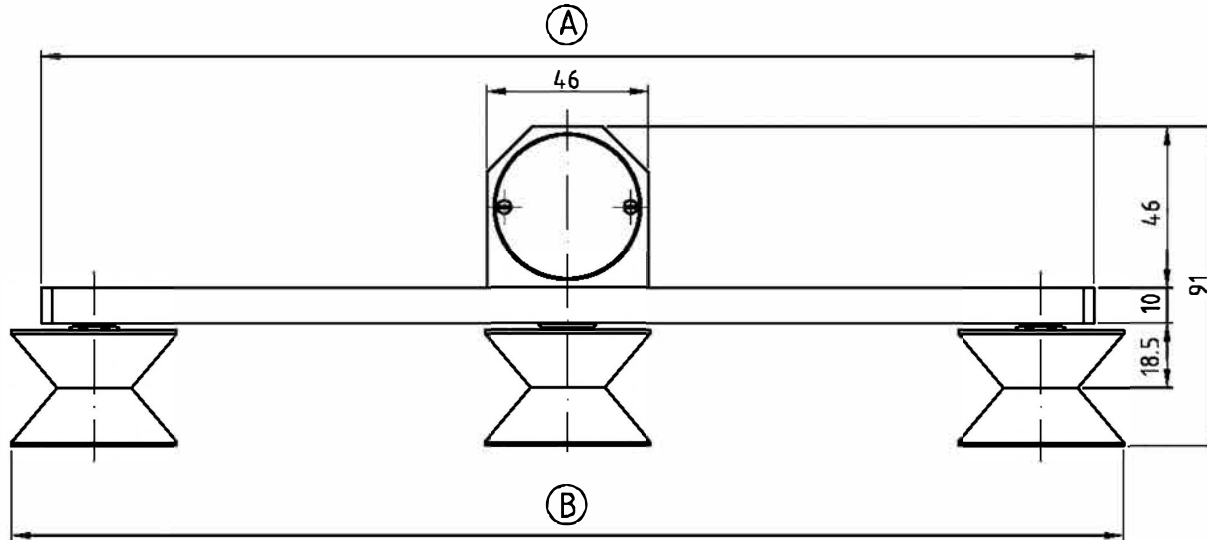
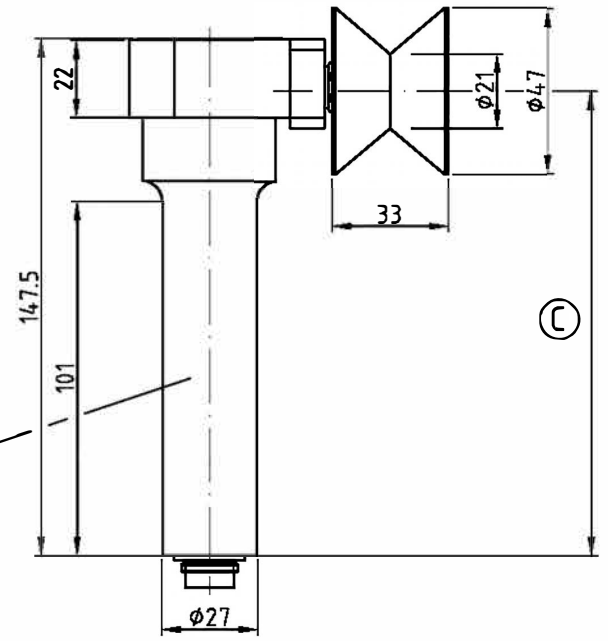
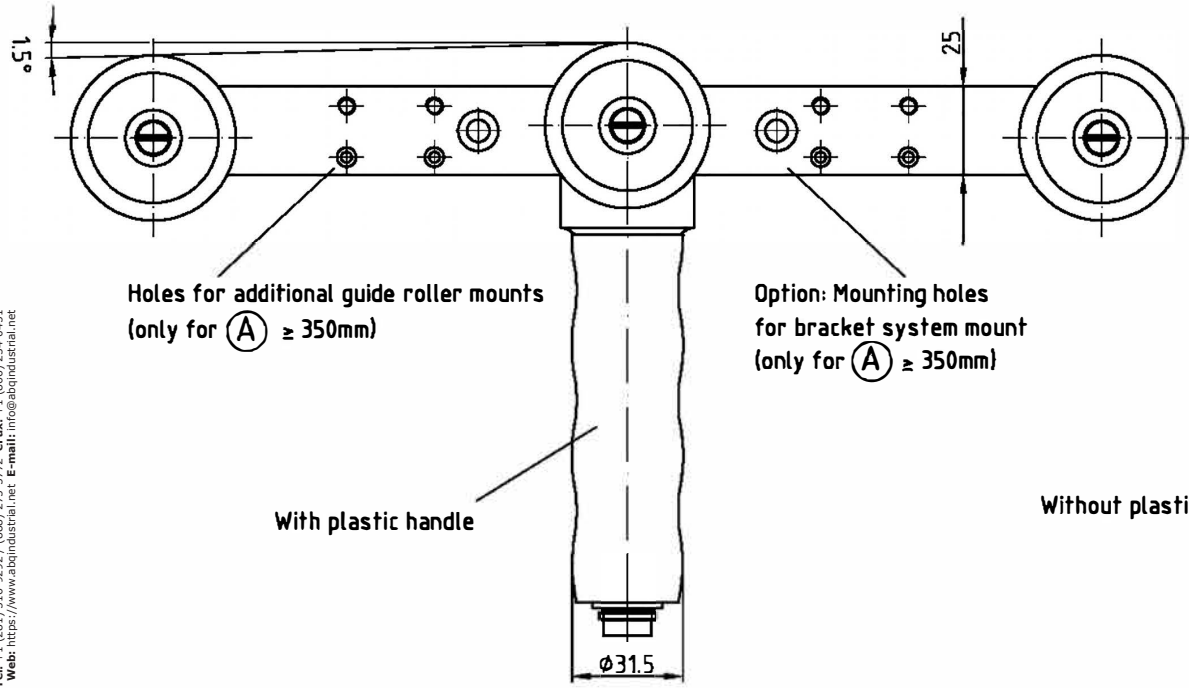
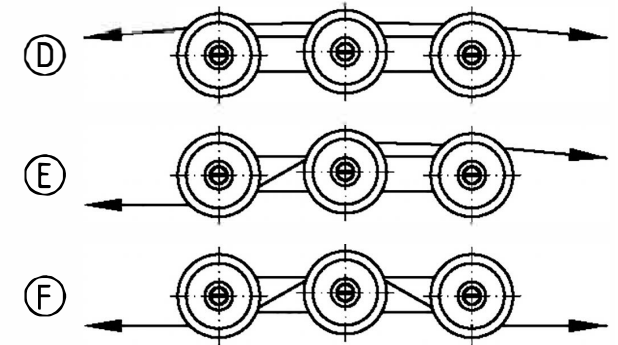


Distributed by: ABO Industrial LP, USA
 Tel: +1 (281) 516-9292 / (888) 275-5772 eFax: +1 (866) 234-0451
 Web: https://www.aboindustrial.net E-mail: info@aboindustrial.net



Material path



Tensile force sensor Tritens
 Series 136.3.S for materials up to Ø30mm
 Dwg. No. K601332
 Protection mark as per DIN34

Measurement range depending on material path

Ⓧ Ⓧ Ⓧ Material path/spreading of the nominal sensor measurement value (F_N)
 1 5 8 Example: $F_N \hat{=} 10\text{daN} \Rightarrow$ Measurement ranges 10daN/2daN/1.25daN

A	B	C	D	E	F
Dimensions in mm			Spreading		
350	367	132	1	5	8
400	417	131	1	4	7
500	517	130	1	3	6