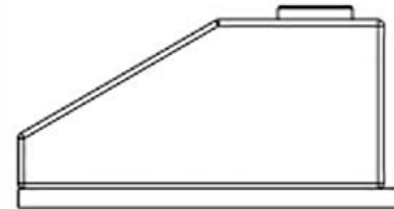
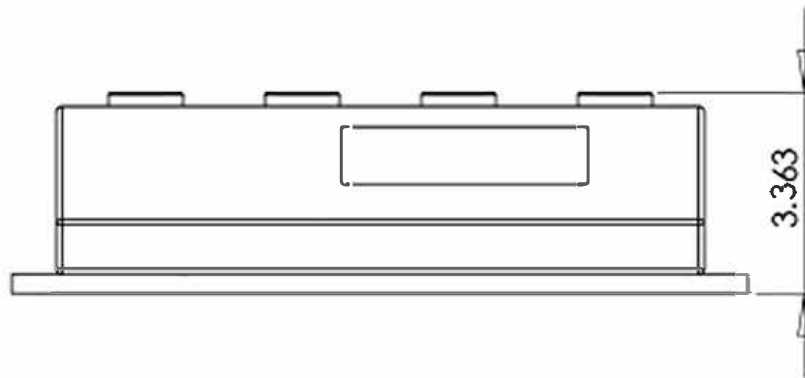
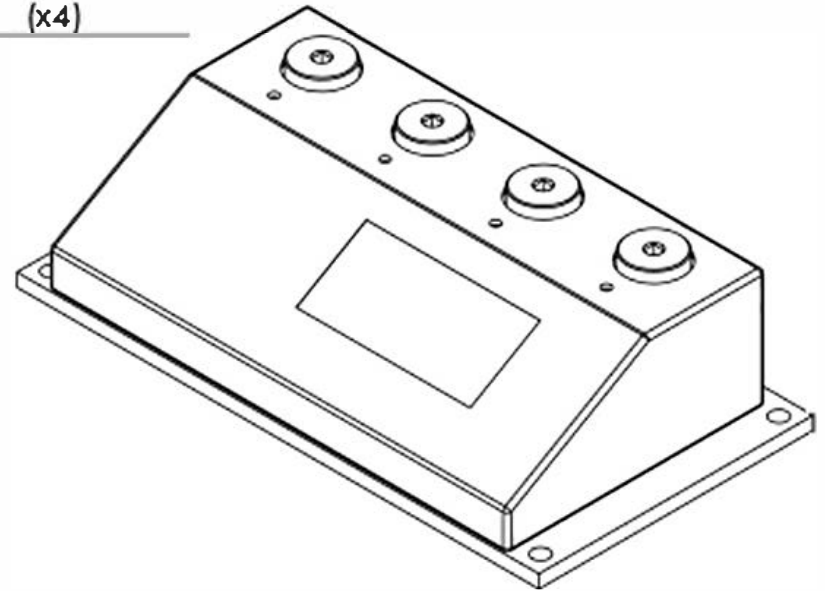
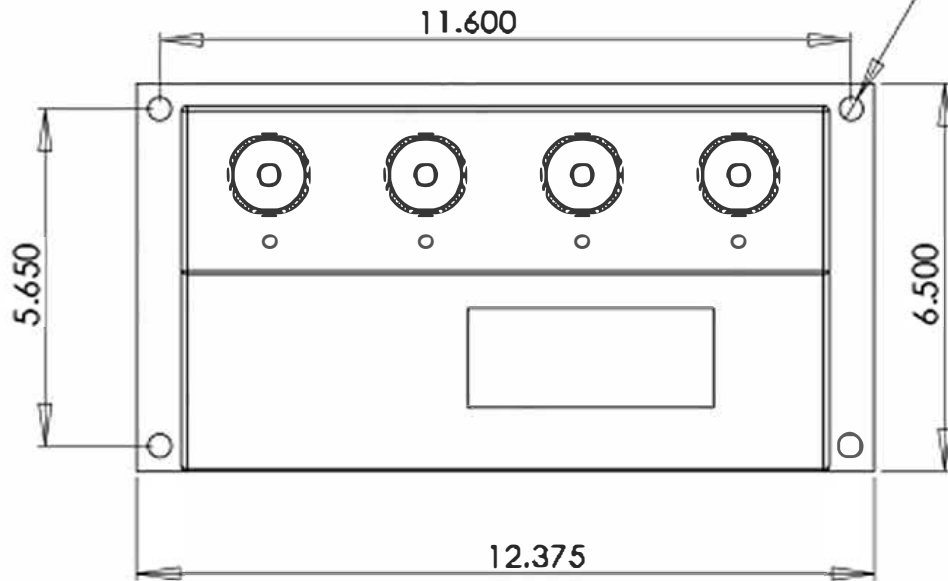


Ø0.391
(for 3/8"-16 bolt)
(x4)



PROPRIETARY AND CONFIDENTIAL THE INFORMATION CONTAINED IN THIS DRAWING IS THE SOLE PROPERTY OF AWS, INC. ANY REPRODUCTION IN PART OR AS A WHOLE WITHOUT THE WRITTEN PERMISSION OF AWS, INC. IS PROHIBITED.	UNLESS OTHERWISE SPECIFIED: DIMENSIONS ARE IN INCHES TOLERANCES: FRACTIONAL: ±0.005 ANGULAR: MACH: ±0.01 TWO PLACE DECIMAL ±.01 THREE PLACE DECIMAL ±.005			TITLE: <h2 style="text-align: center;">MTM 4 Mounting</h2>	REV 1 SHEET 1 OF 1
	DRAWN Latest Rev Date	NAME TLA	DATE 11/29/07 11/29/07	COMMENTS: Preliminary design changes may be necessary.	
	ENO APPR.	TLA	DATE		
	MFG APPR.			PREP:	