

PRECISION QUALITY CONTROL INSTRUMENTS SINCE 1958



# Cap Torque Tester Model CAP-TT01

**3 torque ranges  
up to 5,000 ft/lb.**

**Sample diameters up  
to 7.5 in. (190mm).**

- Moveable posts and optional jaws accommodate a wide range of sample shapes and sizes.
- Automatic output, data storage, and zeroing upon bottle cap removal helps automate testing processes.
- Password protection prevents unauthorized changes.
- High-speed 7,000 Hz sampling rate accurately captures peak torque values.
- Selectable units of measure including Oz-in, Lb-in, Lb-ft, N-m and N-cm
- USB, RS-232, Mitutoyo, and analog outputs.
- 1,000-point data memory with statistics and outputs.
- Programmable set point indicators and outputs for pass/ fail determination.
- Configurable audio alarms and key tones.
- MESUR™ Lite data collection software included.



The CAP-TT01 Cap Torque Tester measures application and removal torque of bottle caps up to 100 lbFin (11.5 Nm).

The CAP-TT-01's adjustable posts effectively grip a broad range of container shapes and sizes, while optional flat and adjustable jaws are available for unique profiles. A rugged aluminum design, and simple, intuitive operation allow for use in laboratory and production environments.

Class-leading accuracy of  $\pm 0.3\%$  and a blazingly fast sampling rate of 7,000 Hz ensure reliable and consistent test results, even in quick-action applications.

The CAP-TT01 includes a range of sophisticated productivity-enhancing features, including USB, RS-232, Mitutoyo, and analog outputs, automatic data output and zeroing upon cap removal, memory storage for 1,000 readings, pass/fail indicators and outputs, and more. Password protection is provided to prevent unauthorized changes to settings and calibration.

CAP-TT01 testers include MESUR™ Lite data acquisition software. MESUR™ Lite tabulates continuous or single point data. Data stored in the CAP-TT01's memory can also be downloaded in bulk. One-click export to Excel allows further data manipulation.

**3 YEAR  
WARRANTY**

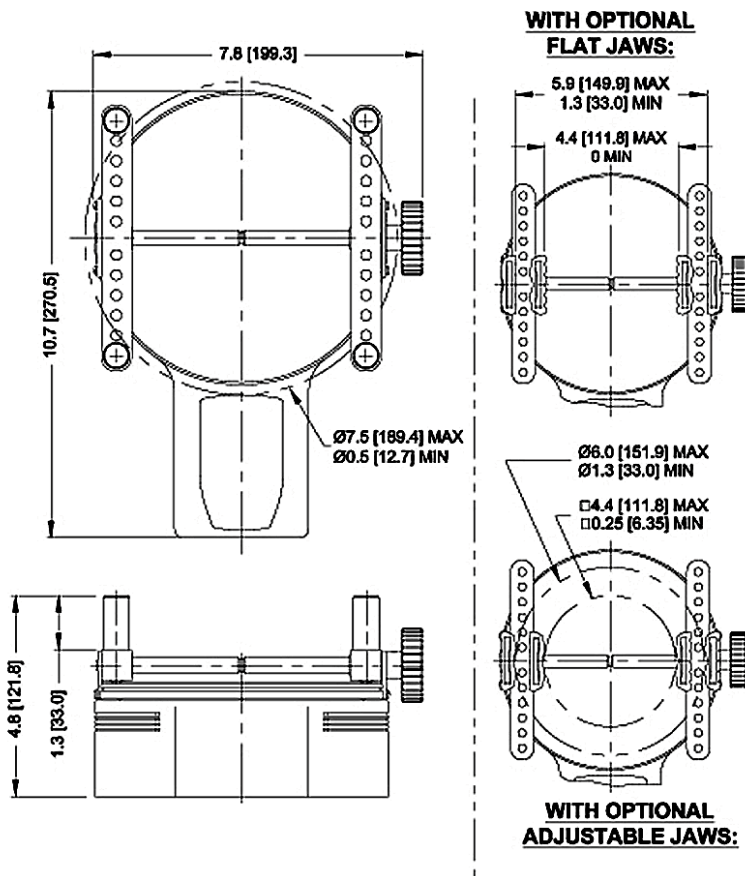
*Ergonomic, easy-to-use keypad makes bottle cap torque testing simple and efficient. The CAP-TT01 is ideal for both laboratory and production environments.*



# CAP-TT01 Specifications And Dimensions

<b>Accuracy</b>	±0.3% of full scale.	<b>Set points</b>	Three open drain lines.
<b>Sampling rate</b>	7,000 Hz.	<b>Configurable Settings</b>	Digital filters, outputs, automatic output/data storage/zero, automatic shutoff, default settings, key tones, backlight, audio alarms, passwords, calibration .
<b>Power</b>	AC or rechargeable battery. Multi-step low battery indicator is displayed. Tester shuts off automatically when the power is too low.	<b>Safe overload</b>	150% of full scale (display shows "OVER" at 110% and above).
<b>Battery Life</b>		<b>Weight</b>	8.4 lb (3.8 kg).
<i>Backlight on:</i>	up to 7 hours of continuous use.	<b>Included items</b>	Universal voltage AC adapter, battery, quick-start guide, USB cable, resource CD (USB driver, MESUR™ Lite software, MESUR™ gauge DEMO software, and user's guide), and NIST-traceable certificate of calibration with data.
<i>Backlight off:</i>	up to 24 hours of continuous use.	<b>Warranty</b>	3 years
<b>Measurement units</b>	Oz-in, Lb-in, Lb-ft, N-m and N-cm.		
<b>Outputs</b>	USB / RS-232: Configurable up to 115,200 baud.		
<b>Mitutoyo</b>	Serial BCD suitable for all Mitutoyo SPC-compatible devices.		
<b>Analog</b>	±1 VCD, ±0.25% of full scale at capacity.		
<b>General purpose</b>	Three open drain outputs, one input.		

## Dimensions



## Torque Ranges (Capacity/Resolution)

Model	ozFin	lvFin	lbFft	Ncm	Nm
CAP-TT01-12	192 0.1	12 0.0005	1 0.0005	135 0.1	135 0.001
CAP-TT01-50	320 0.2	50 0.02	4 0.002	570 0.5	5.7 0.005
CAP-TT01-100	800 0.5	100 0.05	8 0.005	1150 0.5	11.5 0.005

## Related Products

### AC1036 Calibration Kit for CAP-TA

This calibration kit is designed to permit the field calibration of any CAP-TA cap torque tester. The kit contains a complete set of attachments required.



### MESURgauge Load & Travel Analysis Software

MESURgauge measuring and analysis software expands the functionality of force and torque measuring instruments. MESURgauge captures readings from any force or torque gauge with RS-232 output and displays data in tabular and graphical formats. Load data can be graphed against time or travel, particularly useful for such applications as spring testing and tensile testing.

