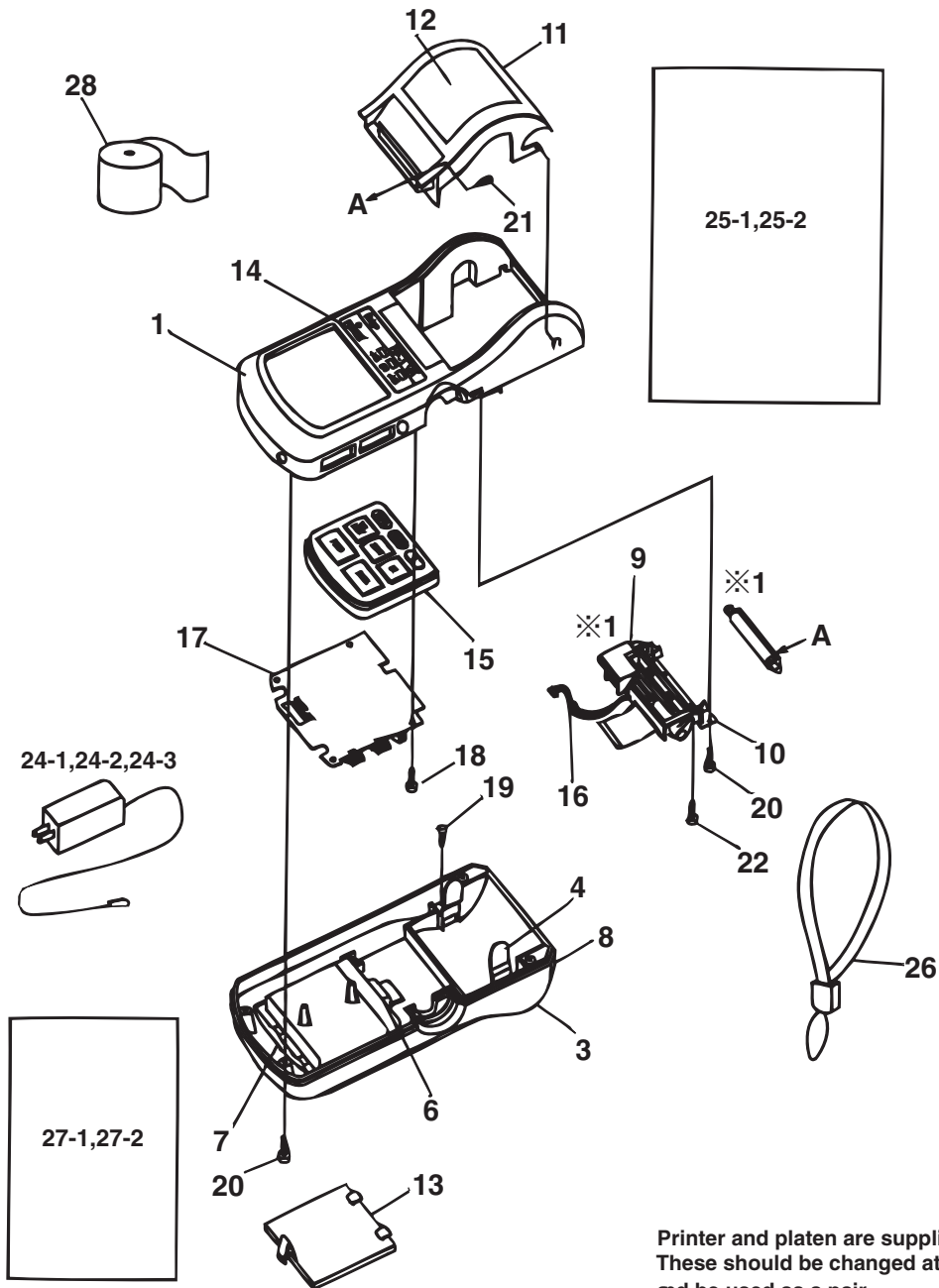


**DIGIMATIC PROCESSOR**  
**Series 264**

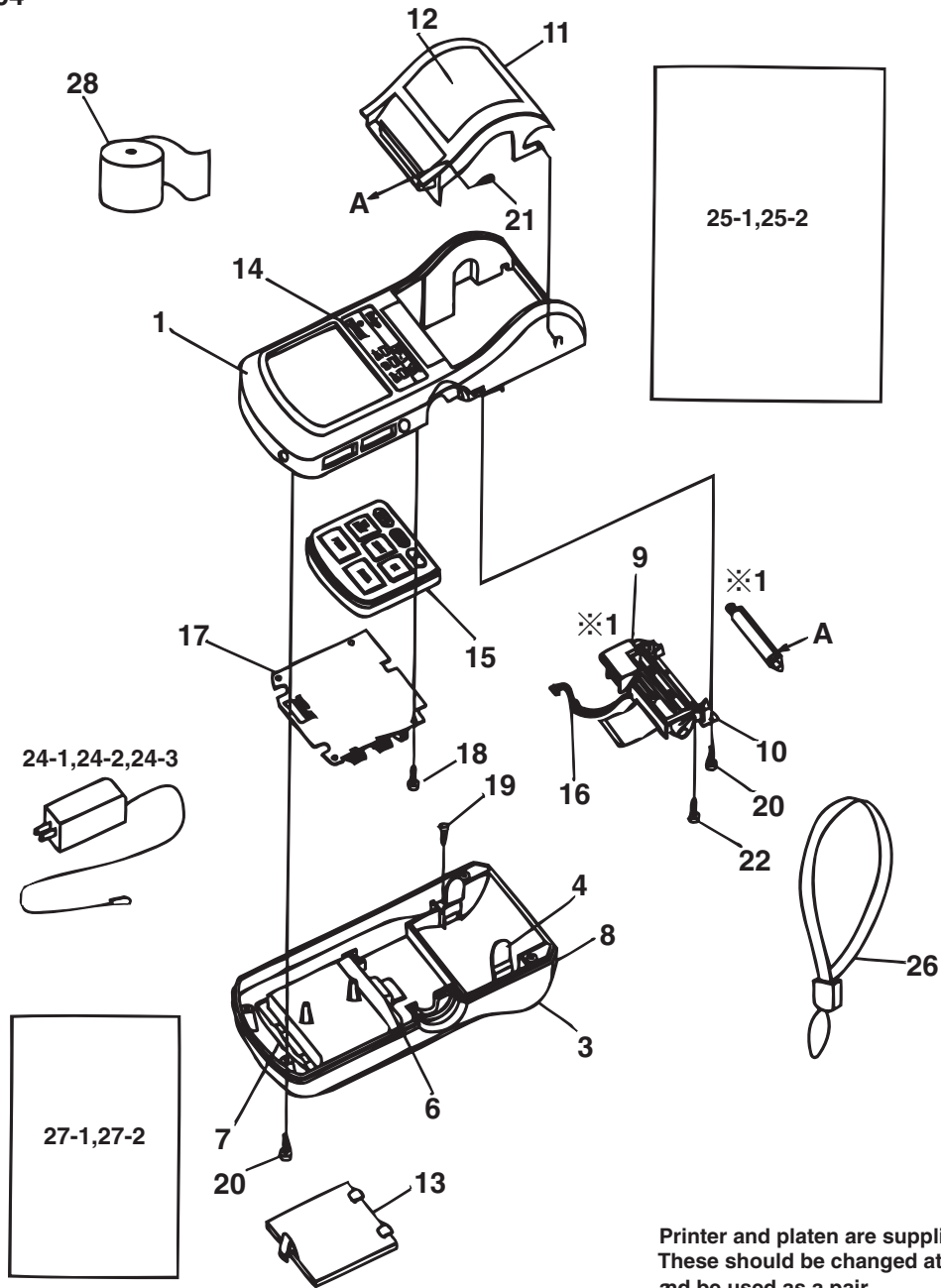
Ref. No. 264-6-2001-NOV 1/2



Printer and platen are supplied as one pair.  
 These should be changed at the same time  
 and be used as a pair.

No.	PART NAME	CATEGORY	CODE NO. コードNo.	KEY NO.
			264-504 (DP-1VR)	
1	UPPER CASE		09EAA046A	1
2				2
3	LOWER CASE		09EAA045	3
4	ROLL PAPER FOLDER		09EAA050	4
5	PRINTER METAL FITTING		09EAA055	5
6	BATTERY CONNECHION FITTING <sup>3</sup>		09EAA053	6
7	BATTERY CONNECHION FITTING <sup>4</sup>		09EAA054	7
8	RUBBER FOOT		09ZAA092	8
9	THERMOR PRINTER	Y	09ZAA091	9
10	PRINTER BASE	Y	09EAA091	10
11	PAPER COVER		09EAA047	11
12	CAUTION SEAL		09EAA092	12
13	BATTEY COVER		09EAA048	13
14	PROTECTION SEAL		09EAA070	14
15	RUBBER SWITCH		09EAA056	15
16	FERRITE CORE	Y	09ZAA117	16

Ref. No. 264-6-2001-NOV 1/2

**DIGIMATIC PROCESSOR**  
**Series 264**


Printer and platen are supplied as one pair.  
 These should be changed at the same time  
 and be used as a pair.

No.	PART NAME	CATEGORY	CODE NO. コードNo.		KEY NO.
			264-504 (DP-1VR)		
17	P,C,B ASSY	Y	09EAA064		17
18	P TIGHT SCREW M2.6×5		197236		18
19	P TIGHT SCREW M2.6×16		09ZAA129		19
20	P TIGHT SCREW M2.6×8		197237		20
21	SCREW M2×4		195658		21
22	SCREW M2×5.5		195068		22
23	SCREW M2×8		09ZAA128		23
24-1	AC ADAPTER(JAPAN · USA)		09EAA088		24-1
24-2	AC ADAPTER(EU)		09EAA088D		24-2
24-3	AC ADAPTER(UK)		09EAA088E		24-3
25-1	MANUAL(JAPANESE)		99MBE021J		25-1
25-2	MANUAL(ENGLISH)		99MBE021A		25-2
26	STRAP		09EAA079		26
27-1	QUICK REFERENCE · JAPANESE		09EAA090A		27-1
27-2	QUICK REFERENCE · ENGLISH		09EAA090B		27-2
28	RECORDING PAPER		09EAA082		28