

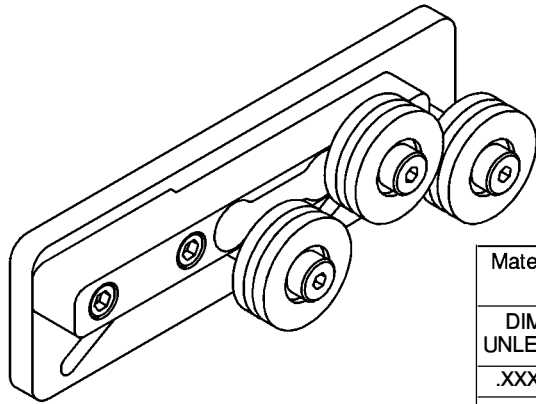
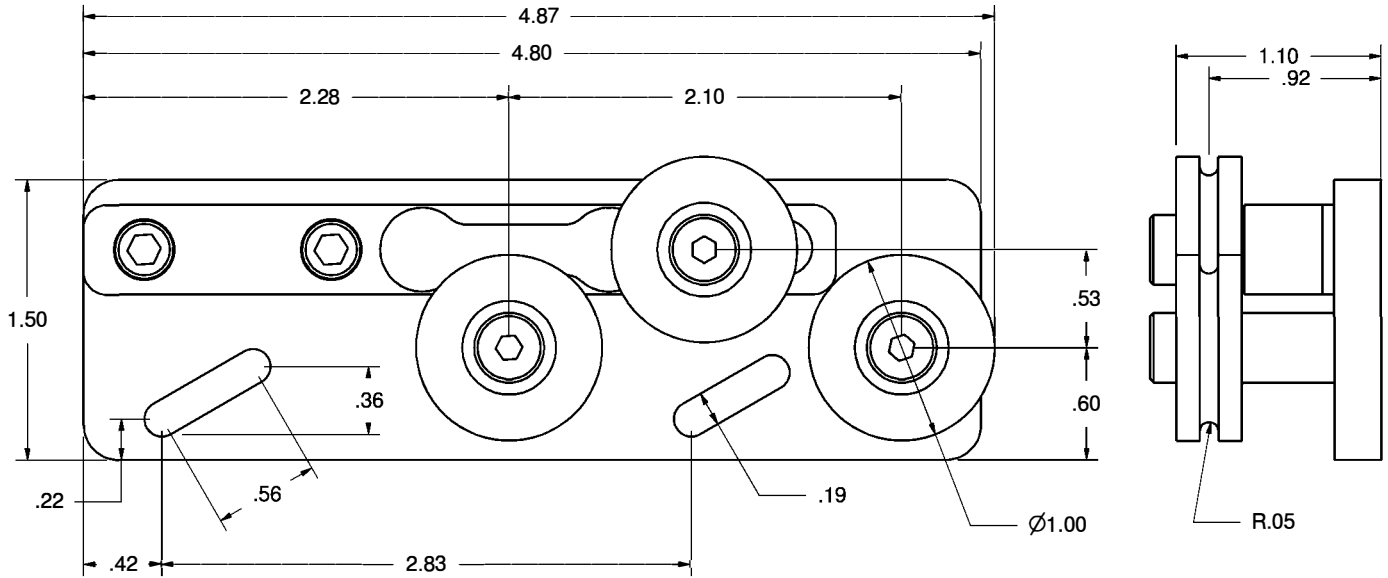
Distributed by: ABQ Industrial LP USA
Tel: +1 (281) 516-9292 / (888) 275-5772 **eFax:** +1 (866) 234-0451
Web: https://www.abqindustrial.net **E-mail:** info@abqindustrial.net



Typical Transducer Specifications

- *Tension Range: Supplied to Customer's requirements.
- *Contact Elements: To fit application.
- *Operating Temperature: 70' ± 25' F. (Special ranges available)
- *Connecting Terminals: 5 pin Amphenol plug or terminated ends.
- *Excitation Voltage: 4-10 VDC.
- *Bridge Resistance: 350 ohms nominal.
- *Output Signal: 1.0 - 2.0 mv/V nominal.
- *Resistance to Ground: Exceeding 500 Megaohms.
- *Zero Balance: Less than 1.5% FS
- *Drift at Midpoint: 0.2%
- *Noise Level: Less than 0.2%
- *Linearity: 0.5%
- *Combined Linearity & Hysteresis: ± .75%
- *Total Error: 1% FS
- *Overload Tension: 50% Overated
- *Shielded Cable: 10' standard length.

		Revision History			
Zone	Rev.	Description	Date	Approval	
N/A	2	REMODELED AND REDRAWN	7/14/14	M. BROCKMAN	



Material ALUMINUM		Finish CLEAR ANODIZE		Heat Treat	
DIMENSIONAL TOLERANCES UNLESS OTHERWISE SPECIFIED				Weight	
.XXXX	.XXX	.XX	ANGLE		
± .0005	± .005	± .01	± 1°		
Scale 1:1	No. Req'd		Drawn SHS	Date 6-22-07	Size
Next Assy			Checked	Date	Drawing Number FT-116
			Approved	Date	

A B C D E F G