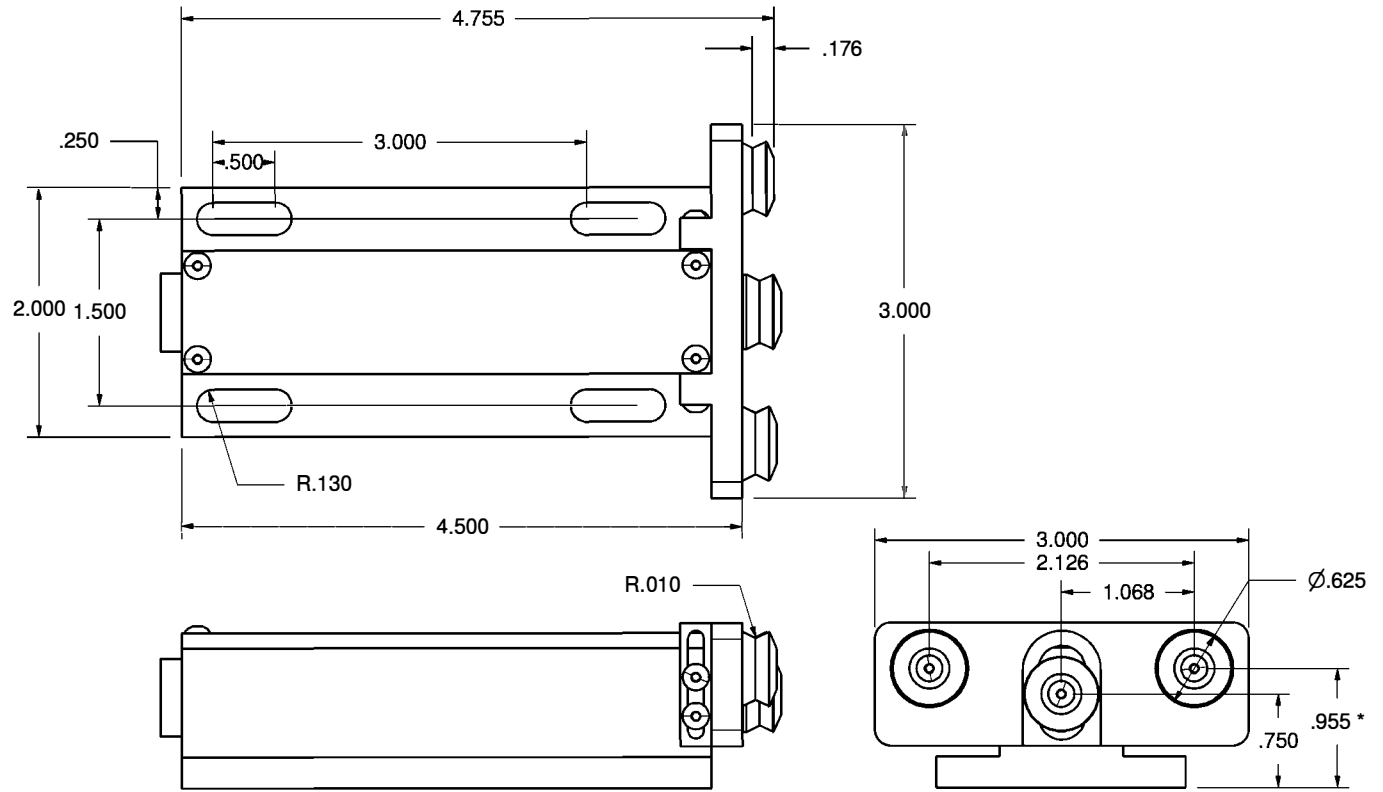


Typical Transducer Specifications

- *Tension Range: Supplied to Customer's requirements.
- *Contact Elements: To fit Customer's application.
- *Operating Temperature: 70' ± 25'
- *Connecting Terminals: 5 pin Amphenol plug or terminated ends.
- *Excitation Voltage: 4-10 VDC
- *Bridge Resistance: 350 Ohms nominal.
- *Output Signal: 1.0 - 2.0 mv/V FS nominal.
- *Resistance to Ground: Exceeding 500 Megaohms.
- *Zero Balance: Less than 1.5% FS.
- *Drift at Midpoint: 0.2%
- *Noise Level: Less than 0.2%.
- *Linearity: ± 0.5%
- *Combined Linearity & Hysteresis: ± .75%
- *Total Error: 1% FS
- *Overload Tension: 50% Overated.
- *Shielded Cable: 10' Standard length.



* - DIMENSION IS ADJUSTABLE

* NOTE 1.
 ADJUSTMENT TO RAISE OR LOWER
 OUTSIDE ROLLER POSITION ALLOWING
 USER TO INCREASE OR DECREASE
 MATERIAL WRAP ANGLE.

NOTE 2.
 STANDARD, MAXIMUM TENSION RANGES
 OF 1,000 AND 5,000 GRAMS. CUSTOM
 RANGES AND ROLLER CONFIGURATIONS
 AVAILABLE.

Material ALUMINUM				Finish CLEAR ANODIZE		Heat Treat		
DIMENSIONAL TOLERANCES UNLESS OTHERWISE SPECIFIED				TITLE		Weight		
.XXXX	.XXX	.XX	ANGLE	TYPICAL SMALL SPACE TRANSDUCER WITH 3" ADJUSTABLE FACEPLATE				
± .0005	± .005	± .01	± 1°					
Scale	1:1.5	No. Req'd		Drawn	SHS	Date	1-15-08	Size
Next Assy				Checked		Date		Drawing Number
				Approved		Date		REV
						FT-107		2

Revision History		Date	Approval
Zone	Rev.	Description	Description
N/A	2	REDRAWN	
		7-10-14	M. BROCKMAN

1
2
3
4
5
6

1
2
3
4
5
6

A B C D E F G