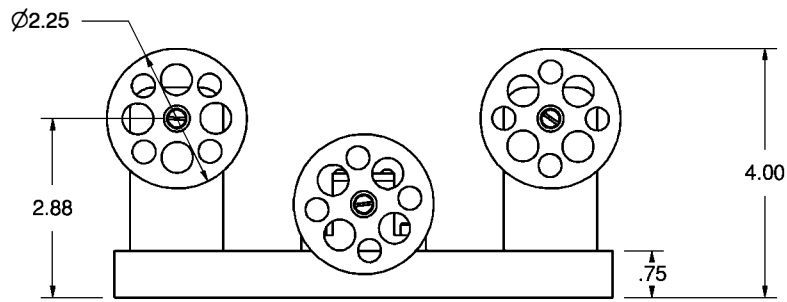
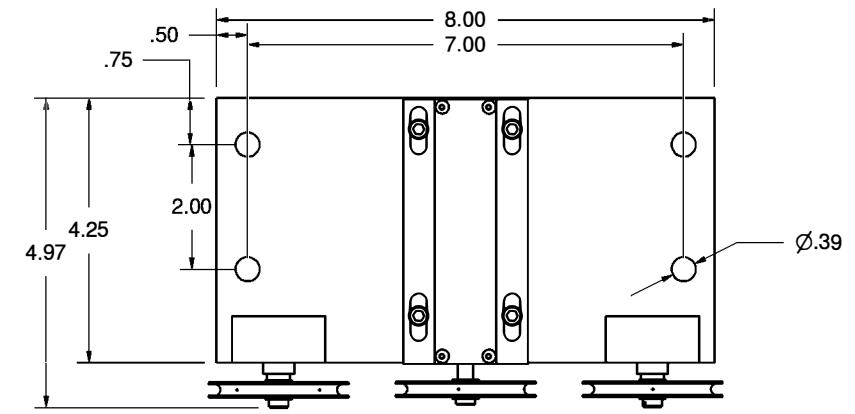
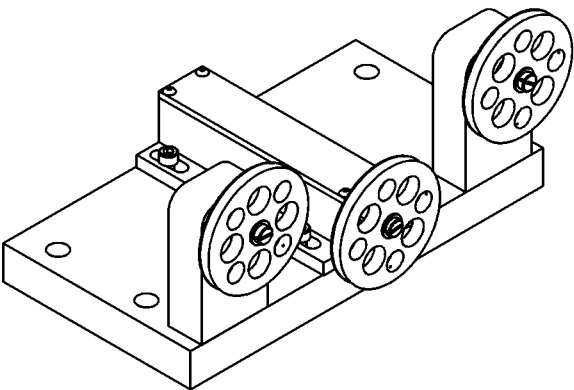


Distributed by: ABQ Industrial LP USA
Tel: +1 (281) 516-9292 / (888) 275-5772 **eFax:** +1 (866) 234-0451
Web: https://www.abqindustrial.net **E-mail:** info@abqindustrial.net



Typical Transducer Specifications

- *Tension Range: Supplied to Customer's requirements.
- *Contact Elements: To fit application.
- *Operating Temperature: 70' ± 25' F, (Special ranges available.)
- *Connecting Terminals: 5 pin Amphenol plug or terminated ends.
- *Excitation Voltage: 4-10 VDC.
- *Bridge Resistance: 350 ohms nominal.
- *Output Signal: 1.0 - 2.0 mv/V FS nominal.
- *Resistance to Ground: Exceeding 500 Megaohms.
- *Zero Balance: Less than 1.5% FS.
- Drift at Midpoint: 0.2%
- Noise Level: Less than 0.2%
- Linearity: 0.5%
- Combined Linearity & Hysteresis: ± .75%
- Total Error: 1% FS
- Overload Tension: 50% Overated
- Shielded Cable: 10' standard length.



		Revision History		
Zone	Rev.	Description	Date	Approval
N/A	2	REMODELED AND REDRAWN	7-16-14	M. BROCKMAN

Application Note:

Dimensions of Mounting Platform, Roller Size and configuration, and material wrap angle through the rollers can be adjusted to meet specific application requirements.

Material 6061 ALUMINUM		Finish ANNODIZED, CLEAR		Heat Treat	
DIMENSIONAL TOLERANCES UNLESS OTHERWISE SPECIFIED		TITLE PLATFORM MOUNTED FIBER TRANSDUCER		Weight	
.XXXX	.XXX	.XX	ANGLE		
± .0005	± .005	± .01	± 1°		
Scale		No. Req'd	Drawn SHS	Date 6-22-07	Size
Next Assy			Checked	Date	Drawing Number
			Approved	Date	REV
					F-1806
					2