

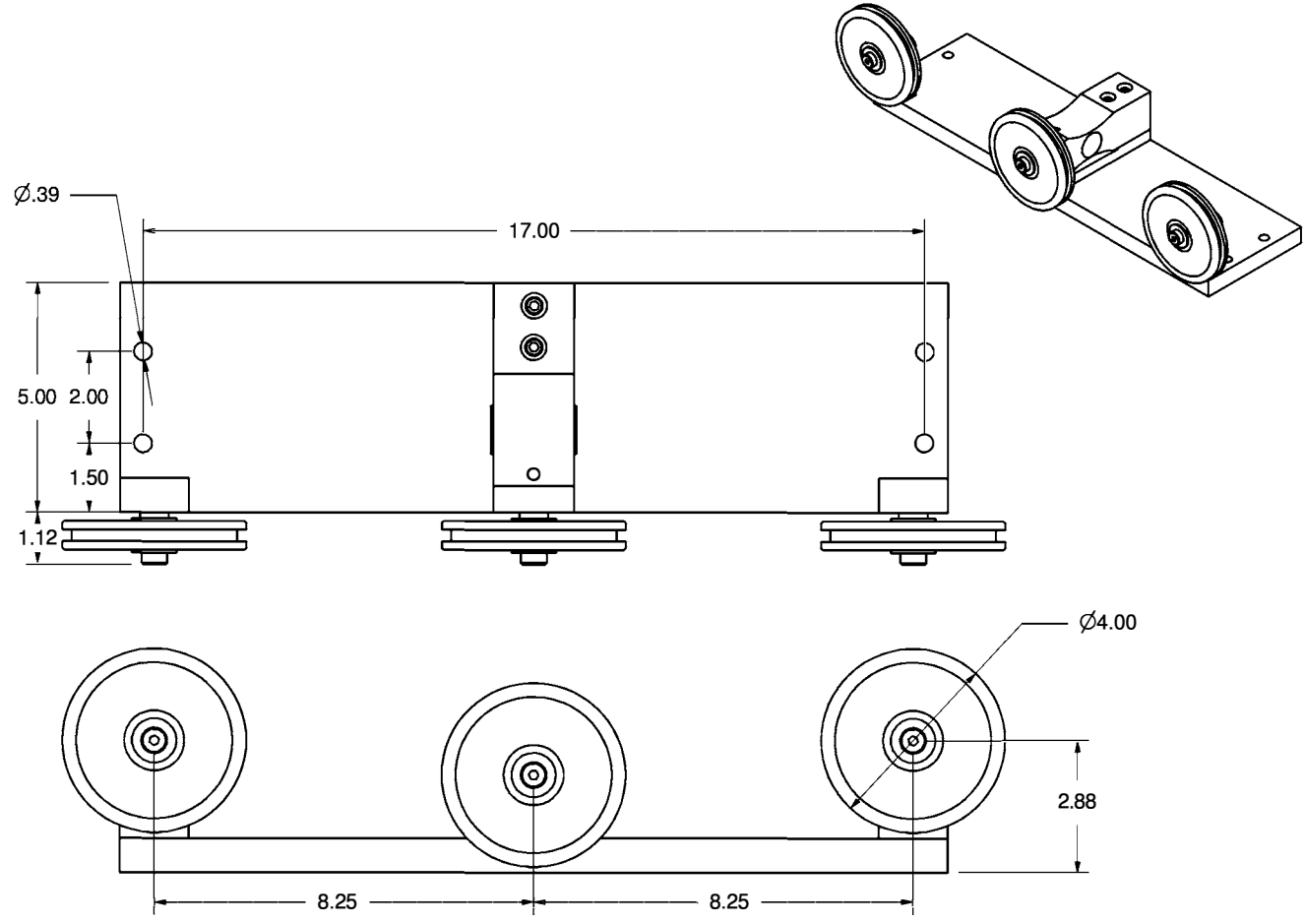
Distributed by: ABQ Industrial LP USA
Tel: +1 (281) 516-9292 / (888) 275-5772 **eFax:** +1 (866) 234-0451
Web: https://www.abqindustrial.net **E-mail:** info@abqindustrial.net



Typical Transducer Specifications

- *Tension Range: Supplied to Customer's requirements.
- *Contact Elements: To fit application.
- *Operating Temperature: 70' ± 25' F. (Special ranges available)
- *Connecting Terminals: 5 pin Amphenol plug or terminated ends.
- *Excitation Voltage: 4-10 VDC.
- *Bridge Resistance: 350 ohms nominal.
- *Output Signal: 1.0 - 2.0 mv/V nominal.
- *Resistance to Ground: Exceeding 500 Megaohms.
- *Zero Balance: Less than 1.5% FS
- *Drift at Midpoint: 0.2%
- *Noise Level: Less than 0.2%
- *Linearity: 0.5%
- *Combined Linearity & Hysteresis: ± .75%
- *Total Error: 1% FS
- *Overload Tension: 50% Overated
- *Shielded Cable: 10' standard length.

Revision History				
Zone	Rev.	Description	Date	Approval



Application Note:

Dimensions of mounting platform, roller size and configuration, and material wrap angle through rollers can be adjusted to meet specific application requirements.

Material	ALUMINUM	Finish	CLEAR ANODIZE	Heat Treat	
DIMENSIONAL TOLERANCES UNLESS OTHERWISE SPECIFIED				Weight	
.XXXX	.XXX	.XX	ANGLE	TYPICAL 3 ROLLER NOTCHED BEAM TRANSDUCER	
± .0005	± .005	± .01	± 1°		
Scale	1:4	No. Req'd	Drawn	SHS	Date
Next Assy			Checked		Date
			Approved		Date
			Date	6-23-07	
			Size	Drawing Number	REV
				E-095-03	