

Proximity Switch Model MCS-3109

Instruction Manual

Description

Model MCS-3109 is a complementary (NPN-NO and NPN-NC) proximity switch normally used in areas where vibration is present and a greater sensing distance is required.

Specifications

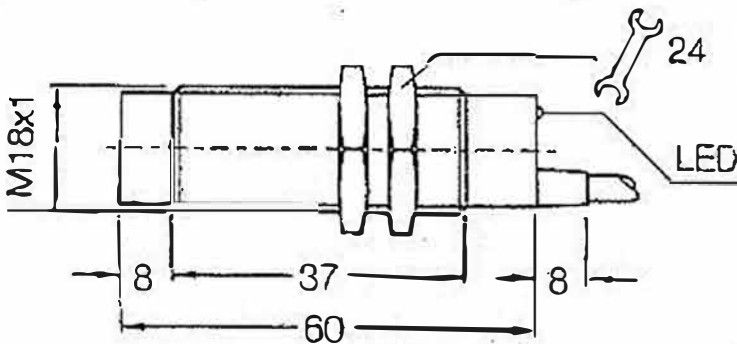
Sensing distance:	8mm (0.32")
Activating frequency:	300Hz
Voltage requirement:	10 - 30VDC
Output current:	100mA
Housing:	Nickel plated brass
Ambient temperature:	-25°C to +70°C (-13° F to 158° F)
Degree of protection:	IP67 / NEMA 4



Connections

Wire colour	NPN - NO	NPN - NC
brown	+VDC	-VDC
white	Signal(NO)	Signal(NC)
blue	-VDC	+VDC
black	-VDC	-VDC

Dimensions



NIDEC-SHIMPO AMERICA CORPORATION 1701 Glenlake Avenue Itasca, IL 60143 USA Phone: (630) 924-7138 Fax: (630) 924-0342
www.shimpoint.com