

## Features

### Total Measuring Range \*

0.025 - 36.000 in / 0.63 - 914.4mm

### Measuring Range on Steel \*\*

0.025 - 6.00 in / 0.60 - 150.0mm

- NIST-traceable Calibration Certificate
- Resolution of 0.001 inch (0.01mm)
- Switch-selected units (inches or mm)
- Hi/Low alarm limits visually indicate out of tolerance readings
- 2-point calibration optimizes linearity over a wide measurement range
- Scan mode (100 readings/sec.) displays minimum thickness during the "scan"
- 5-step GAIN adjustment for optimal accuracy in challenging applications
- The extruded aluminum housing is impact-resistant and environmentally sealed (IP 65) for trouble-free use under tough field conditions
- 10,000 data values stored in up to 40 batches with 250 values/batch with USB data output
- LCD Display shows thickness value, velocity setting, gain setting, stability & battery indicators, scan mode, zero, File/Data and units
- Two (2) AA batteries provide 45-hours of continuous operation
- Selectable Backlight ON/OFF/AUTO
- 5-year warranty, CE-certified and Made in USA

\* Depends on material and transducer/probe type  
 \*\* With standard T-102-3300 probe

# TI-25DLX

## Data Logging Wall Thickness Gauge with USB Output

Built-in datalogger for 10,000 values in up to 40 batches with USB output

The Check-Line® TI-25DLX Wall Thickness Gauge accurately measures wall thickness and the extent of corrosion of all metals, ceramics, glass and most rigid plastics—from only one side! It incorporates built-in datalogging for 10,000 values with 250 readings per batch, up to 40 separate batches with USB Output. Data can be transferred into any program in .csv format or viewed in Datacomm Software (free download).

The TI-25DLX permits the operator to select from 8 preset materials as well as program 2 custom material velocities, plus allows free adjustment of the velocity as desired and allows the end-user to calibrate to a sample of known thickness where the velocity is automatically calculated.

To optimize linearity over a wide range, the user can perform a two-point calibration to two samples of known thickness. The optimal velocity is calculated to provide the highest accuracy and linearity between the low and high calibration points. Calibration and setup parameters can be locked to prevent accidental adjustments.

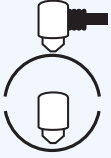
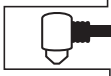

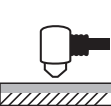
**The complete kit includes:** TI-25DLX gauge, probe, 4 oz. bottle of coupling fluid, 2 AA batteries, USB-C data output cable, NIST-traceable calibration certificate and instruction manual—all in a foam-fitted carrying case.



<b>Total Measuring Range (Steel)</b>	0.025 – 36.000" (0.63 – 914.4mm) depends on material and transducer/probe type	<b>Display Backlight</b>	Backlight is selectable on/off/auto, and selectable brightness (Lo, Med, Hi)
<b>Measuring Range (Steel)</b>	0.040 – 6.000" (1.00 – 150.0mm) with standard transducer T-102-3300	<b>Display Update</b>	10 Hz (10 updates/sec)
<b>Resolution</b>	0.001" (0.01mm)	<b>Temp. Limits</b>	<i>Ambient:</i> –22 to 167 °F (–30 to 75 °C) <i>Material:</i> 0 to 200 °F (–20 to 100 °C) High temperature probes available
<b>Measuring Modes</b>	Pulse-Echo (P-E), Differential	<b>Battery Type</b>	2x AA batteries (rechargeable batteries can be used)
<b>Output Type</b>	USB-C (plug-n-play, view files on PC which can be dragged and dropped)	<b>Battery Life</b>	45 hours continuous use
<b>Built-In Memory</b>	10,000 data values stored in up to 40 batches with 250 values/batch	<b>Housing</b>	Extruded aluminum body with nickel-plated aluminum end caps (gasket sealed)
<b>Memory Type</b>	Sequential data file (single column)	<b>Housing Rating</b>	IP65
<b>Velocity Range</b>	0.0120 to .7300 in/μs. 305 to 18,542 meters/sec	<b>Keypad</b>	Sealed membrane that is resistant to both water and petroleum products Seven or eight tactile-feedback keys
<b>GAIN Adjustment</b>	Adjustable GAIN 5-position (VLOW, LOW, MED, HIGH, VH), in 3dB steps, 40-52dB	<b>Weight</b>	11 oz. (308 grams)
<b>Probe (Standard)</b>	1/4", 5 MHz Dual Element Transducer, actual wearface is 5/8" (17mm), p/n T-102-2000	<b>Pulse Repetition Frequency (PRF)</b>	200 Hz (200 pulses/sec)
<b>Cable</b>	4 ft. (1.2 m) waterproof cable with non-polarized, quick-disconnect connectors	<b>Dimensions</b>	2.5" x 5.17" x 1.25" (63.5 x 131.3 x 31.5mm)
<b>Probes (optional)</b>	1 to 10 MHz, 3/16" up to 1 inch (custom probes available)	<b>Accessories</b>	Probe/cable assembly, 4 oz. bottle of coupling fluid, NIST Calibration Certificate, 2 AA batteries, operating instructions, hard-plastic carrying case.
<b>Probe Wearface</b>	PEEK (Polyethylethylkytone)	<b>Certifications</b>	NIST Traceable and MIL-STD-45662A
<b>LCD Display</b>	Multi-function 7 segment 4.5 digit liquid crystal display with 0.500" digit height. Two 0.125 in14 segment fields for labels and values, and one 7 segment field for labels and values. Additional icons to indicate features and modes	<b>Warranty</b>	<i>Gauge:</i> 5 Years <i>Probes:</i> 90 Days



### Measuring Limits

	Minimum Radius for Convex Surfaces	0.350" (8.89mm)
	Minimum Radius for Concave Surfaces	3" (76.2mm)
	Minimum Headroom	1" (25.0mm)
	Minimum Sample Diameter	0.150" (3.8mm)
	Minimum Substrate Thickness - F	na
	Minimum Substrate Thickness - NFe	na

### Related Products

<b>SB-Series Certified Steel Test Blocks</b>	<ul style="list-style-type: none"> <li>Precision Machined and Finished</li> <li>Includes Wooden Storage Box</li> <li>Includes NIST Traceable Calibration Certificate</li> </ul>
<b>TICC-M Protective Holder for Ultrasonic Gauges</b>	<ul style="list-style-type: none"> <li>Constructed from heavy-duty Cordura Nylon</li> <li>Built-in belt loop</li> </ul>
<b>V-Block Ultrasonic Transducer Holder</b>	<ul style="list-style-type: none"> <li>For 3/16" &amp; 1/4" Transducers only</li> </ul>
<b>SB Step Block Steel Test Blocks without certification</b>	<ul style="list-style-type: none"> <li>Fabricated from 1018 Steel</li> <li>Supplied without certification</li> </ul>
<b>CF-12 Coupling Fluid</b>	<ul style="list-style-type: none"> <li>Temp Range: 0 - 200 °F, -18 - 93 °C</li> </ul>
<b>TI-25-UW-50 50 Ft. Underwater Probe / Cable Assembly</b>	<ul style="list-style-type: none"> <li>50 Ft. Length, Waterproof Probe/Cable assembly with non-polarized, Dual-Lemo connectors.</li> </ul>