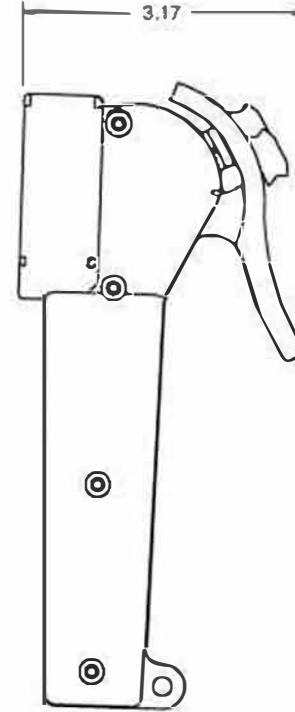
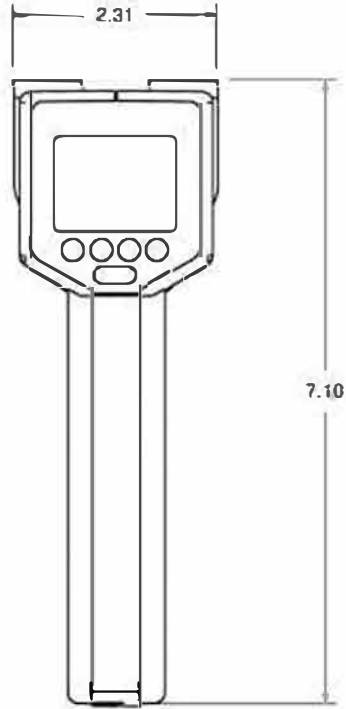



Distributed by: ABO Industrial LP USA
Tel: +1 (281) 516-9292 / (888) 275-5772 **eFax:** +1 (866) 234-0451
Web: <https://www.abqindustrial.net> **E-mail:** info@abqindustrial.net



Revision History				
Zone	Rev.	Description	Date	Approval

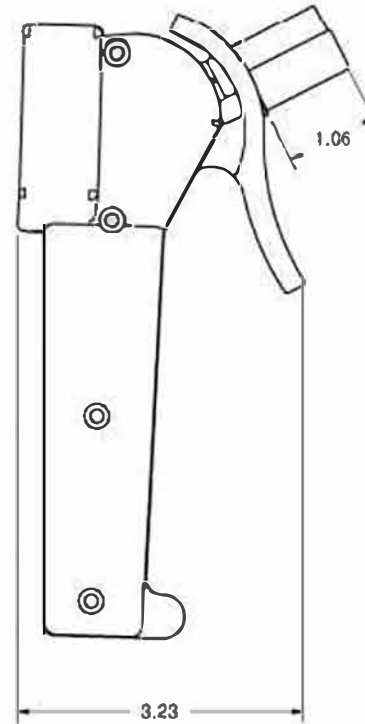
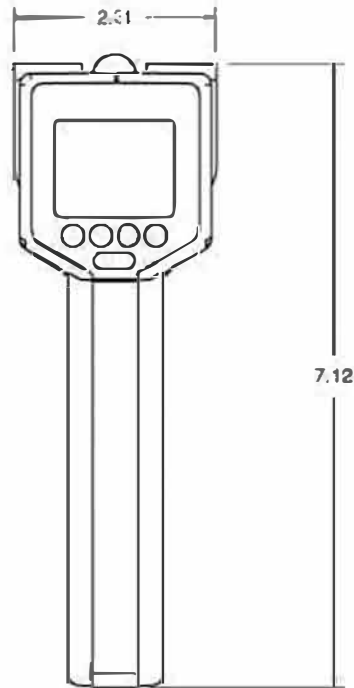



Material				Finish		Heat Treat										
DIMENSIONAL TOLERANCES UNLESS OTHERWISE SPECIFIED <table border="1"> <thead> <tr> <th>.XXXX</th> <th>.XXX</th> <th>.XX</th> <th>ANGLE</th> </tr> </thead> <tbody> <tr> <td>±.0005</td> <td>±.005</td> <td>±.01</td> <td>± 1°</td> </tr> </tbody> </table>				.XXXX	.XXX	.XX	ANGLE	±.0005	±.005	±.01	± 1°	TITLE TX SERIES DIGITAL TENSION METER TX-125-1, TX-1000-1, TX-5000-1 AND TX-5EDM-1		Weight  733 South Bowen Street Longmont, CO 80501		
.XXXX	.XXX	.XX	ANGLE													
±.0005	±.005	±.01	± 1°													
Scale		No. Rec'd 1		Drawn M. BROCKMAN	Date 6-5-14	Size	Drawing Number	REV								
Next Assy				Checked	Date		TX-125-1 DIMENSIONED DRAWING WITH BORDER	1								
				Approved	Date											

Distributed by: ABQ Industrial LP USA
Tel: +1 (281) 516-9292 / (888) 275-5772 **eFax:** +1 (866) 234-0451
Web: <https://www.abqindustrial.net> **E-mail:** info@abqindustrial.net



Revision History				
Zone	Rev.	Description	Date	Approval
N/A	1	MODELED AND REDRAWN	4-20-15	M. BROCKMAN



Material ALUMINUM, 6061				Finish TUMBLE DEBURR, CLEAR ANODIZE		Heat Treat	
DIMENSIONAL TOLERANCES UNLESS OTHERWISE SPECIFIED				TITLE		Weight	
.XXXX	.XXX	.XX	ANGLE	TX-1-R SERIES DIGITAL TENSION METER		 733 South Bowen Street Longmont, CO 80501	
± .0005	± .005	± .01	± 1'				
Scale		No. Req'd 1		Drawn M. BROCKMAN	Date 4-20-2015	Size	Drawing Number
Next Assy				Checked	Date		TX-1-R DIMENSIONED DRAWING WITH BORDER
				Approved	Date		REV 1

