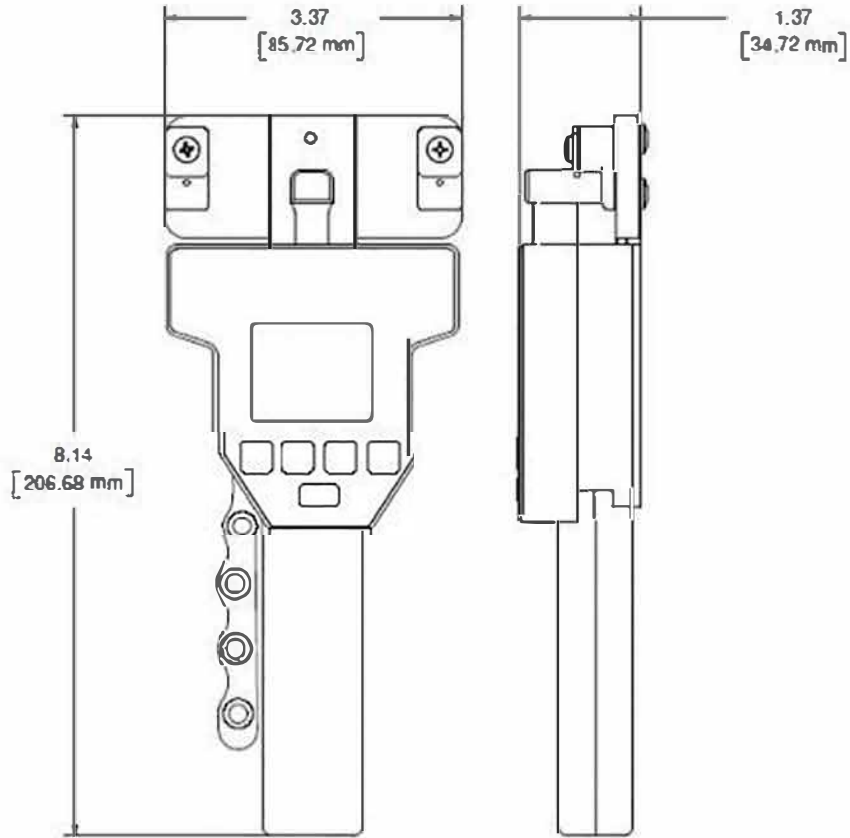
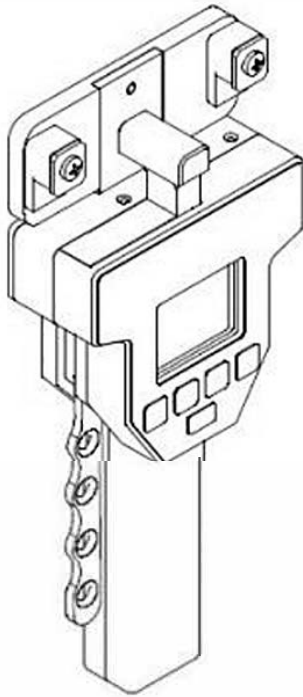



Distributed by: ABQ Industrial LP, USA  
 Tel: +1 (281) 516-9292 / (888) 275-5772 eFax: +1 (866) 234-0451  
 Web: https://www.abqindustrial.net E-mail: info@abqindustrial.net



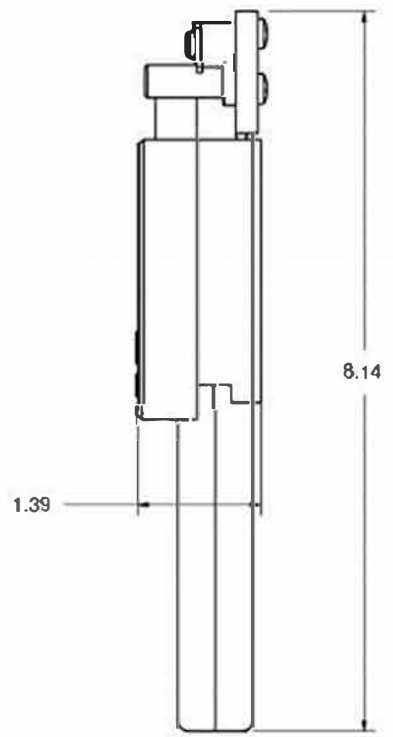
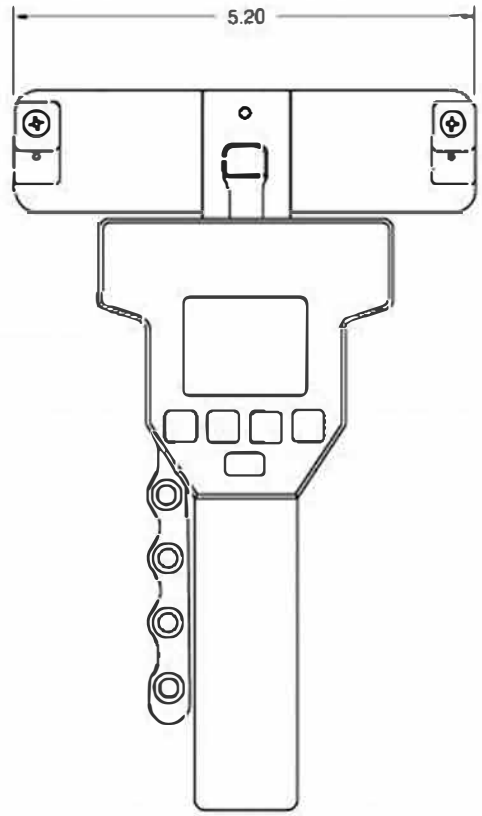
Revision History				
Zone	Rev.	Description	Date	Approval
N/A	1	MODELED AND REDRAWN	6-5-14	M. BROCKMAN


Material 6061 ALUMINUM				Finish BORDEAUX RED		Heat Treat		
DIMENSIONAL TOLERANCES UNLESS OTHERWISE SPECIFIED				TITLE		Weight		
XXX	XX	XX	ANGLE	ACX-250-1 DIGITAL CABLE TENSION METER		 733 South Bowen Street Longmont, CO 80501		
± .0005	± .005	± .01	± 1°					
Scale		No. Req'd 1		Drawn M. BROCKMAN	Date 6-9-14	Size	Drawing Number	REV
Next Assy				Checked	Date		ACX-250-1 ASSY	1
				Approved	Date			

**Distributed by:** ABQ Industrial LP USA  
**Tel:** +1 (281) 516-9292 / (888) 275-5772 **eFax:** +1 (866) 234-0451  
**Web:** <https://www.abqindustrial.net> **E-mail:** [info@abqindustrial.net](mailto:info@abqindustrial.net)



Revision History				
Zone	Rev.	Description	Date	Approval



Material				Finish		Heat Treat										
<p style="text-align: center;">DIMENSIONAL TOLERANCES UNLESS OTHERWISE SPECIFIED</p> <table border="1"> <tr> <td>.XXXX</td> <td>.XXX</td> <td>.XX</td> <td>ANGLE</td> </tr> <tr> <td>± .0005</td> <td>± .005</td> <td>± .01</td> <td>± 1'</td> </tr> </table>				.XXXX	.XXX	.XX	ANGLE	± .0005	± .005	± .01	± 1'	TITLE		Weight		
.XXXX	.XXX	.XX	ANGLE													
± .0005	± .005	± .01	± 1'													
				<b>DIGITAL CABLE TENSION METER ACX-500-1 AND ACX-1200-SCB-1</b>		 733 South Bowen Street Longmont, CO 80501										
Scale		No. Req'd 1		Drawn M. BROCKMAN	Date 6-5-14	Size	Drawing Number	REV								
Next Assy				Checked	Date	ACX-500-1 DIMENSIONED DRAWING WITH BORDER		1								
				Approved	Date											