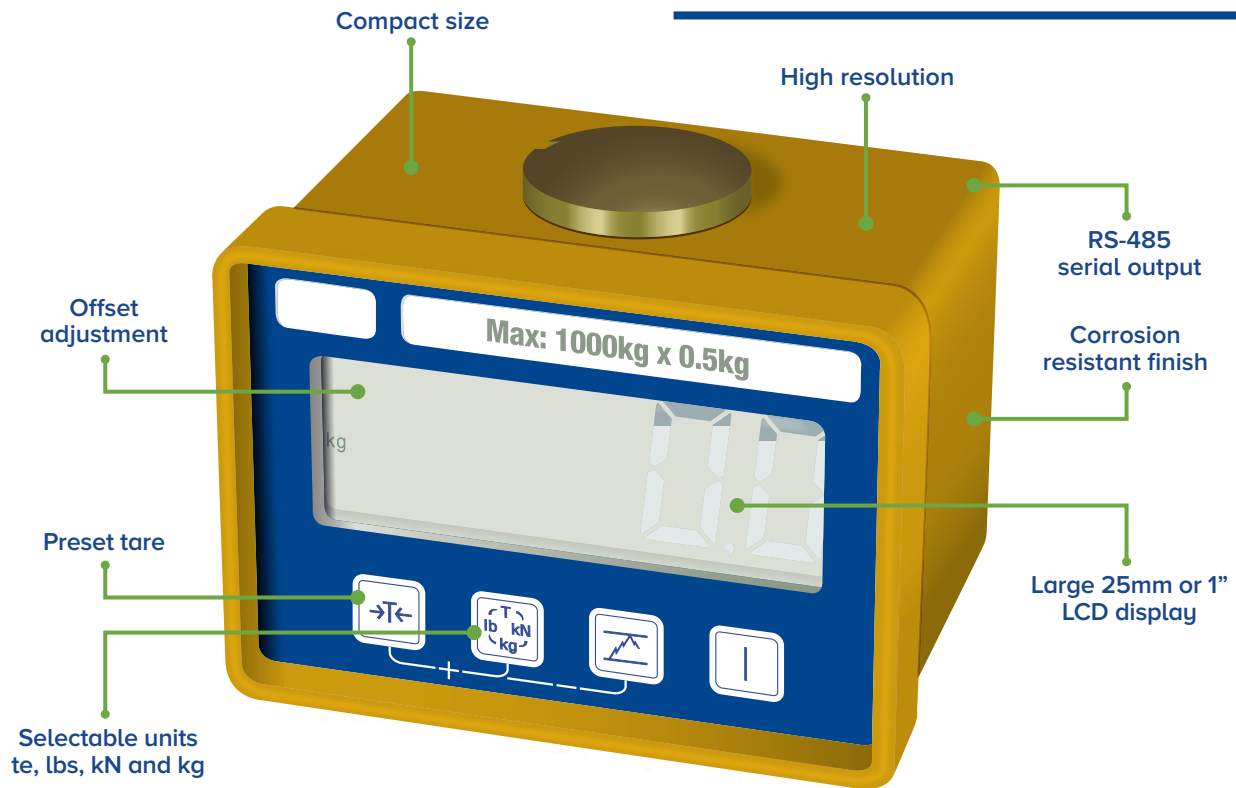


Loadblock plus



The Loadblock plus is a low capacity, self-indicating compression load cell, used in many testing and load monitoring applications worldwide.

The integral display eliminates the need for a separate display or cable assembly that can be easily damaged. Applications include the measurement of loads associated with the testing of hydraulic presses, cylinders or jacks.

This latest version of Straightpoint's Loadblock has advanced features and benefits that provide solutions for today's complicated load test, as well as force monitoring needs. Features include full function push button controls for tare, units of measure (lbs, kg, kN and tonnes), peak hold, pre-set tare, audible set-point alarm and an overload counter.

This crucial overload alarm counter is a requirement for many safety and quality control departments, as it keeps track of overload events. Should this occur, the load cell in question can be removed from service immediately, following the calibration-voiding overload event. It can then be sent out for proper testing and, if necessary, a recalibration can be done before it re-enters service.

The advanced microprocessor based electronics provide the Loadblock plus with high speed read rates (500/sec), extreme

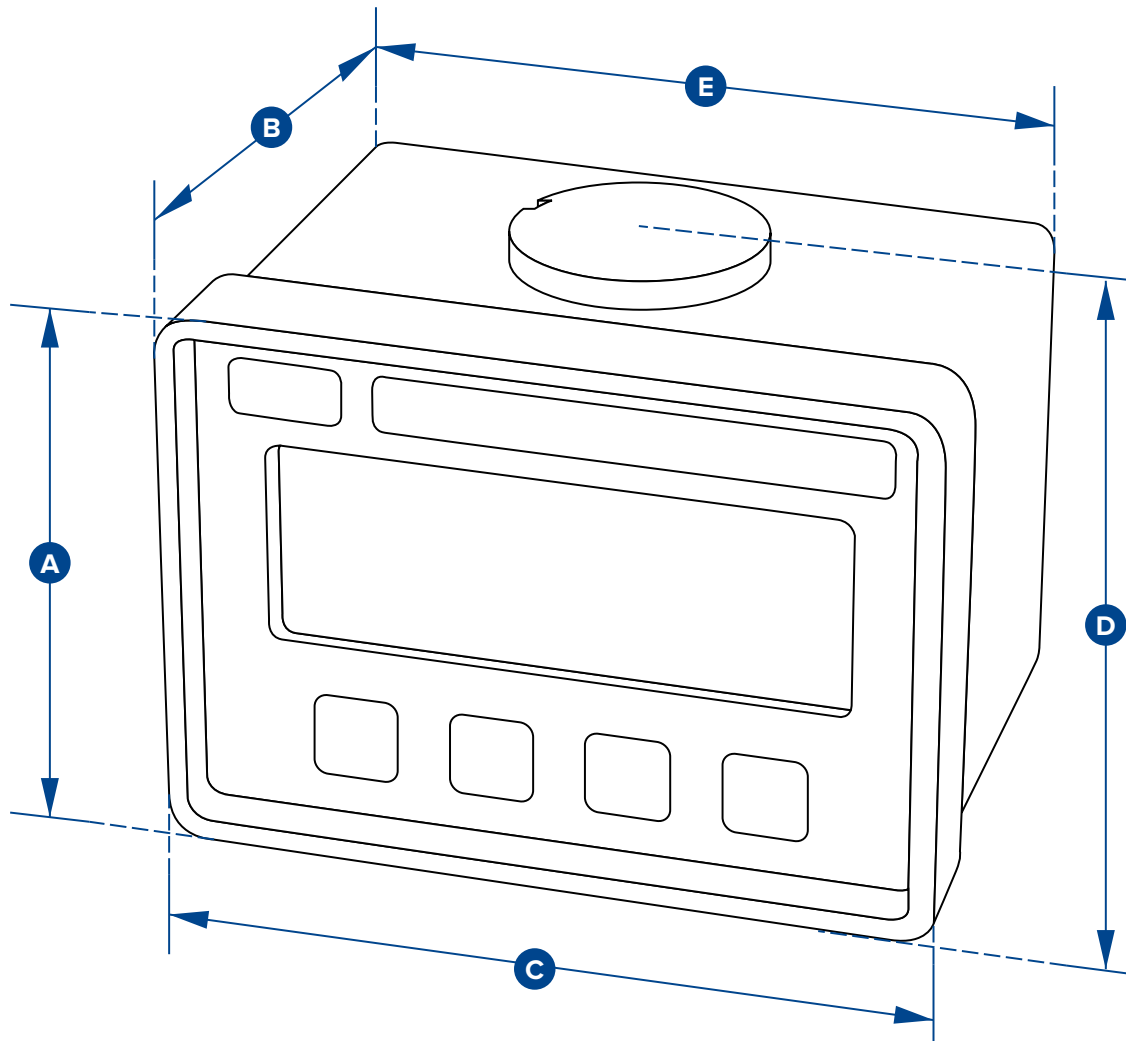
resistance to industrial level noise and unprecedented stability.

This high stability provides the Loadblock plus with 5,000+ divisions and the highest standard resolution of any self-indicating compression load cell on the market today.

The unit also features a RS-485 serial output port allowing for remote viewing with either the Handheld plus digital display/controller or Windows PC desktop controller data logging software.

Features and benefits:

- Large 25mm or 1" LCD Display
- High resolution
- 100Hz Peak hold
- Compact size
- Push button tare
- Preset tare
- RS485 port for connection to datalogging system
- Selectable units te, lbs, kN and kg



Part Numbers	LBP250KG	LBP500KG	LBP1T	LBP2T	LBP5T
SP	2789035	2789037	2789034	2789036	2789038
Crosby	2789035	2789037	2789034	2789036	2789038
Capacity	250kg 550lb	500kg 1100lb	1te 2200lb	2te 4400lb	5te 11000lb
Resolution	0.1kg 0.2lb	0.2kg 0.5lb	0.0005te 1lb	0.001te 2lb	0.001te 2lb
Units	t, kg, kN and lb lb, te, kN and kg				
Weight	900g 2lb	900g 2lb	900g 2lb	1.5kg 3.3lb	3.1kg 6.8lb
Safety Factor	4:1	5:1	5:1	5:1	5:1
Battery Type	9v PP3				
Battery Life	80hrs continuous				
Display Type	6 digit 25mm LCD or 6 digit 1" LCD				
Operating Temp	-10°C to 50°C or 14°F to 122°F				
Accuracy	±0.1% of full scale				
Protection	IP65 or NEMA4X				
Dimension A	81 3.19"	81 3.19"	81 3.19"	92 3.62"	92 3.62"
Dimension B	81 3.19"	81 3.19"	81 3.19"	117 4.61"	136 5.35"
Dimension C	113 4.45"	113 4.45"	113 4.45"	112 4.41"	112 4.41"
Dimension D	90 3.54"	90 3.54"	90 3.54"	104 4.09"	115 4.53"
Dimension E	104 4.09"	104 4.09"	104 4.09"	Not available in this capacity	