

32-1205



The MR06-200 wire crimp pull sensor is a hand-operated solution for measuring wire crimp pull-off forces. The ergonomic handles and convenient tensioning mechanism make field measurements a breeze for applications up to 200 lbF (1,000 N). Squeeze the handles together to increase tension on the sample until a break occurs. The peak force is recorded by the indicator.

A rotating turret with slots of multiple sizes accommodates a wide range of wire diameters, up to 0.25 in. (6.4 mm).



^ Unique Plug & Test™ technology allows for interchangeable sensors to be used with a Mark-10 indicator. All calibration and configuration data is saved in the smart connector.

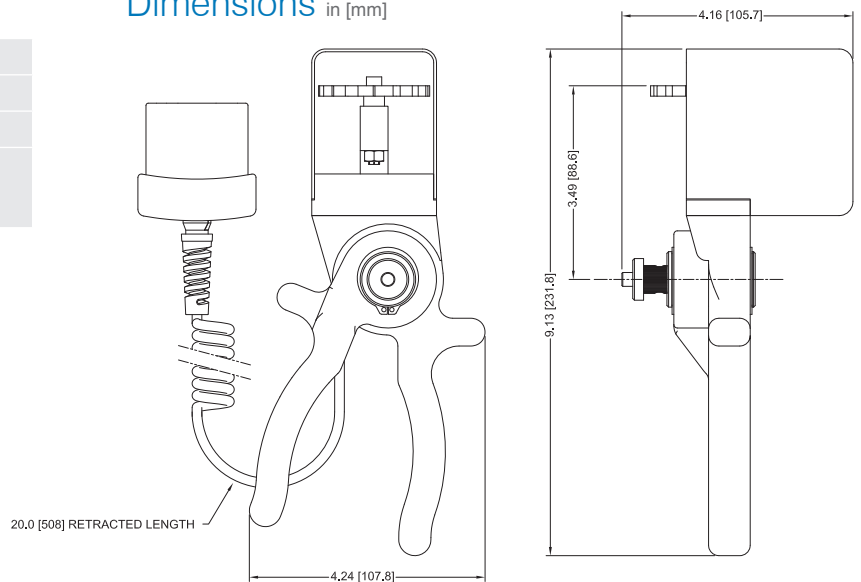


^ The Plug & Test™ connector locks into the receptacle in the indicator when fully inserted. Dual buttons on the indicator housing release the connector for easy removal. Gold plated spring contacts ensure long lasting and reliable connection.

Specifications

Accuracy:	±0.5% of full scale + indicator
Safe Overload:	150% of full scale
Weight:	2.5 lb [1.2 kg]
Slot Dimensions (in [mm]):	0.03 [0.8], 0.05 [1.3], 0.06 [1.5], 0.08 [2.0], 0.09 [2.3], 0.11 [2.8], 0.13 [3.3], 0.14 [3.6], 0.16 [4.1], 0.17 [4.3], 0.19 [4.8], 0.20 [5.1], 0.22 [5.6], 0.24 [6.1], 0.25 [6.4]

Dimensions in [mm]



Capacity x Resolution

Model No.	With Models 7i & 5i indicators					With Model 3i indicator		
	lbF	ozF	kgF	N	kN	lbF	kgF	N
MR06-200	200 x 0.1	3200 x 2	100 x 0.05	1000 x 0.5	1 x 0.0005	200 x 0.2	100 x 0.1	1000 x 1



Specifications subject to change without prior notice