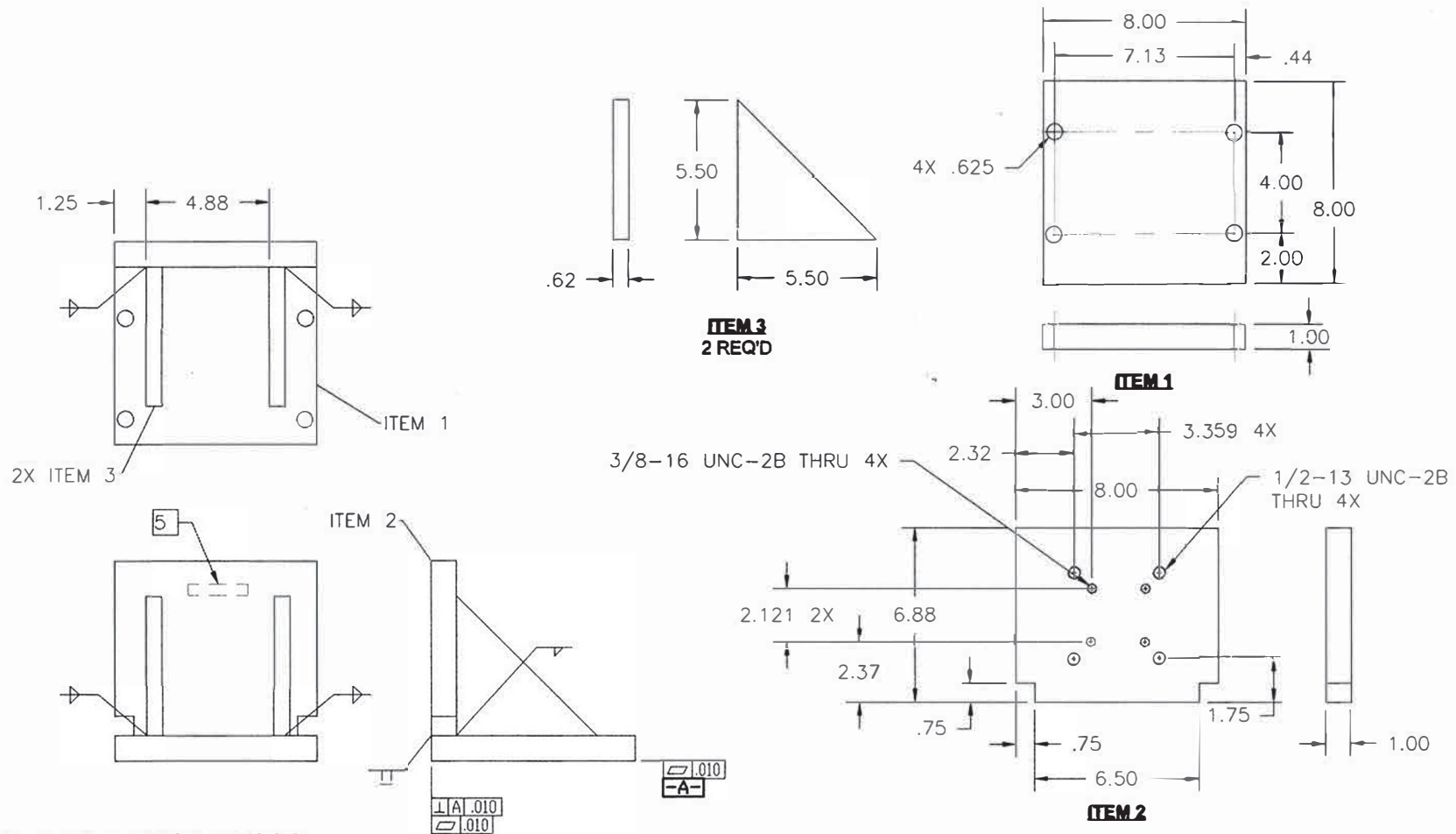


NOTES: UNLESS OTHERWISE SPECIFIED
1. PLACE SCREWS AS SHOWN IN PLASTIC
BAG, ITEM 4, PROVIDED.
PLACE IN BOX, ITEM 5, AS
LISTED ON BOM. APPLY SHIPPING
LABEL TO OUTSIDE OF BOX.



NOTES: UNLESS OTHERWISE SPECIFIED

- 1 MATERIAL; STEEL, 1018.
- 2 ALL DIM'S APPLY AFTER FINISH.
- 3 DEBURR AND BREAK ALL SHARP EDGES
.005 R MAX.
- 4 FINISH; BLACK ZINC PER ASTM-B633, TYPE II
CLASS FE/ZMB, ALL SURFACES.
- 5 INK STAMP WITH PART NO. AND REV.
APPROX WHERE SHOWN.