



SMART FORCE AND TORQUE SENSORS

User's Guide

MARK-10.

Thank you...

Thank you for purchasing a Mark-10 Plug & Test® remote sensor, designed for use with Mark-10 models M7I, M5I and M3I force/torque indicators and Series F test frames.

With proper usage, we are confident that you will get many years of great service with this product. Mark-10 sensors are ruggedly built for many years of service in laboratory and industrial environments.



This User's Guide provides setup, safety, and operation instructions for each individual sensor series. Instructions for using models M5I and M3I indicators are available in their respective user's guides. For additional information or answers to your questions, please do not hesitate to contact us. Our technical support and engineering teams are eager to assist you.

Before use, each person who is to use Mark-10 sensors and indicators should be fully trained in appropriate operation and safety procedures.

TABLE OF CONTENTS

OVERVIEW	2
SAFETY / PROPER USAGE	3
SETUP	4
SERIES R01 / R07 FORCE SENSORS	5
SERIES R02 FORCE SENSORS	7
SERIES R03 FORCE SENSORS	8
SERIES R04 FORCE SENSORS	9
SERIES R05 FORCE SENSORS	10
SERIES R06 FORCE SENSORS	11
SERIES FS05 FORCE SENSORS	12
SERIES R50 TORQUE SENSORS	14
SERIES R51 TORQUE SENSORS	16
SERIES R52 TORQUE SENSORS	18
SERIES R53 TORQUE SENSORS	19
SERIES R55 TORQUE SENSORS	20

1 OVERVIEW

1.1 General Overview

Plug & Test® sensors accommodate numerous force and torque measurement requirements, from 0.25 to 10,000 lbF (1 N to 50 kN) of force, and from 10 ozFin to 5,000 lbFin (7 Ncm to 550 Nm) of torque. These sensors can be handheld or mounted to a fixture or test stand for more sophisticated testing requirements.

Plug & Test® sensors are used with Mark-10 M7I, M5I, and M3I indicators. They may be disconnected from one indicator and connected to another without the need for re-calibration or re-configuration. All such data is saved within a PCB located inside the smart connector.

Series FS05 and R07 sensors may also be used with Series F test frames.

The model number, serial number, and capacity of the sensor are identified in the rectangular label located on the connector. The model and serial numbers are also identified in the **Information** screen of the indicator. Refer to the indicator user's guides for more information.

1.2 Accuracy and Resolution

Indicator accuracy must be combined with sensor accuracy to determine the total accuracy of the system. Since sensors may be used with the M7I, M5I or M3I indicators, the accuracy of the indicator being used must be identified and taken into account, as follows:

Indicator Model	Accuracy
M7I / M5I	±0.1% of full scale
M3I	±0.2% of full scale

The total system accuracy can be calculated by adding the sensor accuracy and indicator accuracy. Refer to the following examples:

Example 1

Model MR01-100 sensor with Model M5I Indicator

MR01-100 ±0.15% of full scale	+	M5I ±0.1% of full scale	=	Total ±0.25% of full scale
---	---	-----------------------------------	---	--------------------------------------

This translates into a fixed error of up to:
 $0.25\% \times 100 \text{ lbF} = 0.25 \text{ lbF}$

Example 2

Model MR50-50Z sensor with Model M3I Indicator

MR50-50Z ±0.35% of full scale	+	M3I ±0.2% of full scale	=	Total ±0.55% of full scale
---	---	-----------------------------------	---	--------------------------------------

This translates into a fixed error of up to:
 $0.55\% \times 50 \text{ ozFin} = 0.275 \text{ ozFin}$

Because accuracy is defined as a *percentage of full scale*, the fixed error is possible anywhere on the scale from 0 to the capacity. As such, this value represents an increasingly large error as *percentage of reading* towards the low end of the scale. It is, therefore, recommended that a sensor is selected with capacity as close as possible to the expected load.

The resolution may be different for some sensors depending on whether a M7I, M5I, or M3I indicator is being used. For example, a Series R01 force sensor will display finer resolution when connected to a M5I indicator than when connected to a M3I indicator. Resolution information is shown in the following sections.

2 SAFETY / PROPER USAGE

Read through the following safety instructions thoroughly before using a sensor:

1. Note the sensor's capacity before use and ensure that the capacity is not exceeded. Producing a load greater than the indicated safe overload value can damage the sensor. An overload can occur whether the sensor's indicator is powered on or off.
2. In order to extend the life of the sensor, avoid repetitive shock and impact loading.
3. When moving the sensor to another location, never lift from the cable or strain relief. This can cause damage to the sensor. Always lift the sensor housing itself.
4. Always ensure that load is applied axially with respect to the sensor.
5. Ensure that the sensor is kept away from water or any other electrically conductive liquids at all times.
6. The sensor and indicator should be serviced by a trained technician only. AC power must be disconnected and the indicator must be powered off before the housing is opened.
7. Always consider the characteristics of the sample being tested before initiating a test. A risk assessment should be carried out beforehand to ensure that all safety measures have been addressed and implemented.
8. Typical materials able to be tested include many manufactured items, such as springs, electronic components, fasteners, caps, films, mechanical assemblies, and many others. Items that should not be used with the sensor include potentially flammable substances or products, items that can shatter in an unsafe manner, and any other components that can present an exceedingly hazardous situation when acted upon by a force. Always wear eye and face protection when testing, especially in aforementioned hazardous cases. Extra bodily protection should be worn if a destructive failure of a test sample is possible.
9. In aforementioned hazardous situations, it is strongly recommended that a machine guarding system be employed to protect the operator and others in the vicinity from shards or debris.
10. Sensors have threaded holes or chucks, designed for the mounting of grips, fixtures, or attachments. If any such accessories are used, ensure they are mounted firmly to prevent a potential safety risk to the operator and others in the vicinity. If using an accessory from a supplier other than Mark-10, ensure that it is constructed of suitably rugged materials and components. Similar precautions should be taken when mounting the sensor to a test stand, work bench, or other piece of equipment.

3 SETUP

The Plug & Test® connector must be inserted into the receptacle of the indicator with the side marked “Plug & Test® Technology” facing up (see Fig. 3.1). When fully inserted, the connector will lock into place with a “click”.



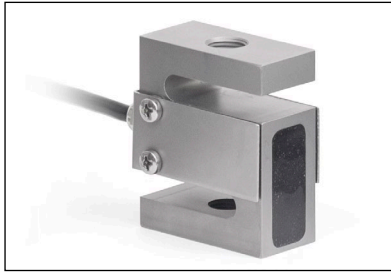
Fig. 3.1
Appropriate orientation of the Plug & Test® connector.

To release the connector, press both buttons on either side of the indicator housing (see Fig. 3.2). Pull the connector completely out of the indicator by holding the curved aluminum section. **DO NOT** pull on the cable or strain relief.



Fig. 3.2
Press both buttons on either side of the indicator housing to release the Plug & Test® connector.

4 SERIES R01 / R07 FORCE SENSORS



4.1 Unpacking and Assembly

Carefully remove the sensor from the box. No assembly is required.



4.2 Installing Series R07 to Models F755 / F755S / F1505 / F1505S Test Frames

Install the sensor to the underside of the crosshead using the supplied socket head screw and hardware. Plug the connector into the receptacle in the top front surface of the crosshead, then fasten the thumb screws into the crosshead, as shown below:

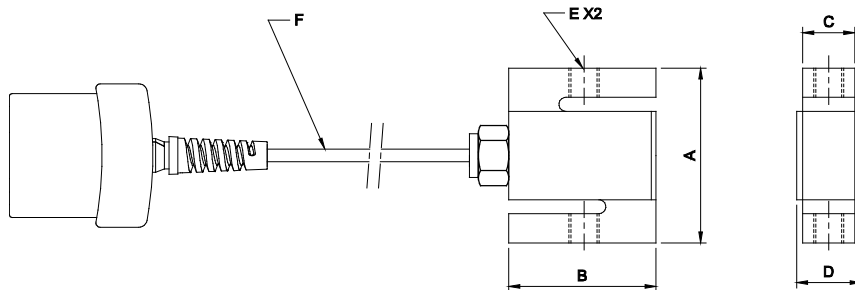
4.3 Overview

Tension and compression force may be applied to the surfaces with threaded holes. Attachments may be threaded into these holes. These holes also allow for mounting as required.

4.4 Specifications

Accuracy:	±0.15% of full scale
Safe overload:	150% of full scale
Operating temperature:	40°F – 100°F [5°C – 38°C]
Operating humidity:	96% max. (non-condensing)
Weight:	1.9 to 3.0 lb [0.9 to 1.4 kg], depending on model

4.5 Dimensions (in [mm])



Series R07 force sensors are identical to Series R01, except for two thumb screws in the Plug & Test® connector. These thumb screws are required for mounting to certain Series F test frames.

Model No.	A	B	C	D	E	F
MR01-50 / MR07-50	2.40 [61.0]	2.00 [50.8]	0.46 [11.7]	0.90 [22.9]	1/4-28 UNF	MR01-XXXXX: 20 ft [6 m] MR01-XXXX-1 / MR07: 10 in [254 mm]
MR01-100 / MR07-100						
MR01-200 / MR07-200						
MR01-300 / MR07-300			0.71 [18.0]	1.10 [27.9]	1/2-20 UNF	
MR01-500 / MR07-500						
MR01-750 / MR07-750						
MR01-1000 / MR07-1000						
MR01-1500 / MR07-1500	0.96 [24.4]	1.40 [35.6]				
MR01-2000						
MR01-5000	3.90 [99.1]	3.00 [76.2]	1.21 [30.7]	1.63 [41.4]	3/4-16 UNF	
MR01-10000						

4.6 Capacity x Resolution

Model No.	With Model M7I / M5I Indicator / IntelliMESUR® Software						With Model M3I Indicator			
	lbF	ozF	gF	kgF	N	kN	lbF	kgF	N	kN
MR01-50 / MR07-50	50 x 0.02	800 x 0.5	25000 x 10	25 x 0.01	250 x 0.1	-	50 x 0.05	25 x 0.02	250 x 0.2	-
MR01-100 / MR07-100	100 x 0.05	1600 x 1	50000 x 20	50 x 0.02	500 x 0.2	-	100 x 0.1	50 x 0.05	500 x 0.5	-
MR01-200 / MR07-200	200 x 0.1	3200 x 2	-	100 x 0.05	1000 x 0.5	1 x 0.0005	200 x 0.2	100 x 0.1	1000 x 1	-
MR01-500 / MR07-500	500 x 0.2	8000 x 5	-	250 x 0.1	2500 x 1	2.5 x 0.001	500 x 0.5	250 x 0.2	2500 x 2	-
MR01-300 / MR07-300	300 x 0.2	4800 x 5	-	150 x 0.1	1500 x 1	1.5 x 0.001	300 x 0.5	150 x 0.2	1500 x 2	-
MR01-750 / MR07-750	750 x 0.5	12000 x 10	-	375 x 0.2	3750 x 2	3.75 x 0.002	750 x 0.5	375 x 0.2	3750 x 2	-
MR01-1000 / MR07-1000	1000 x 0.5	16000 x 10	-	500 x 0.2	5000 x 2	5 x 0.002	1000 x 1	500 x 0.5	5000 x 5	-
MR01-1500 / MR07-1500	1500 x 1	24000 x 20	-	750 x 0.5	7500 x 5	7.5 x 0.005	1500 x 2	750 x 1	7500 x 10	-
MR01-2000	2000 x 1	32000 x 20	-	1000 x 0.5	10000 x 5	10 x 0.005	2000 x 2	1000 x 1	10000 x 10	-
MR01-5000	5000 x 2	-	-	2500 x 1	25000 x 10	25 x 0.01	5000 x 5	2500 x 2	-	25 x 0.02
MR01-10000	10000 x 5	-	-	5000 x 2	50000 x 25	50 x 0.02	10000 x 10	5000 x 5	-	50 x 0.05

4.7 Calibration

Series R01 force sensors may be calibrated by Mark-10 indicator models M3I, M5I, and M7I. Series R07 force sensors may be calibrated via IntelliMESUR® software, Model M5I indicator, or Model M7I indicator.

Although Series R07 force sensors may be used with a Model M3I indicator, they may not be calibrated by this indicator.

5 SERIES R02 FORCE SENSORS



5.1 Unpacking and Assembly

Carefully remove the sensor from the box. No assembly is required.

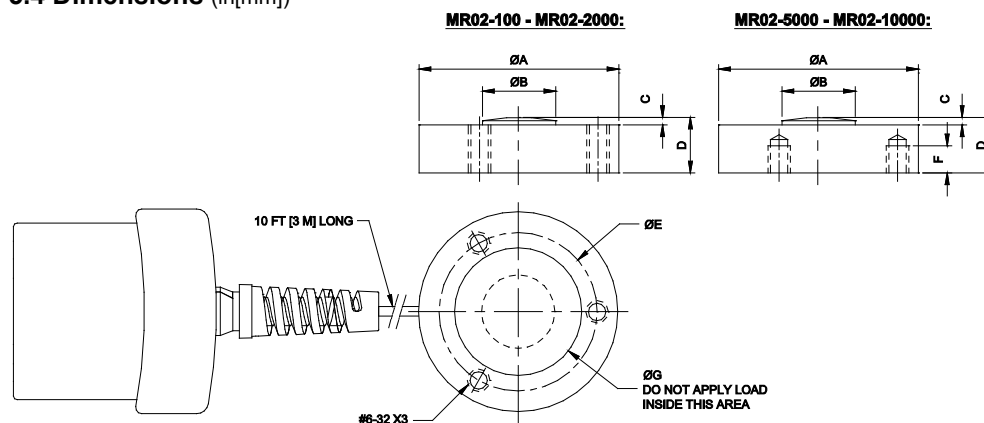
5.2 Overview

Compression force may be applied to the button in the center of the top surface of the sensor (visible in the picture above). **DO NOT** apply load to the cover on the underside of the sensor. Threaded holes are supplied to permit mounting to various surfaces.

5.3 Specifications

Accuracy:	±0.5% of full scale
Safe overload:	150% of full scale
Operating temperature:	40°F – 100°F [5°C – 38°C]
Operating humidity:	96% max. (non-condensing)
Weight:	MR02-100 - MR02-2000: 0.3 lb [0.1 kg] MR02-5000 - MR02-10000: 0.5 lb [0.2 kg]

5.4 Dimensions (in[mm])



Model	ØA	ØB	C	D	ØE	F	ØG
MR02-100 – MR02-2000	1.25 [31.8]	0.32 [8.1]	0.05 [1.3]	0.39 [9.9]	1.0 [25.4]	-	0.83 [21.1]
MR02-5000 – MR02-10000	1.50 [38.1]	0.43 [10.9]	0.07 [1.8]	0.62 [15.8]	1.25 [31.8]	0.25 [6.4]	1.08 [27.4]

5.5 Capacity x Resolution

Model No.	With Model M71 / M51 Indicator						With Model M31 Indicator			
	lbF	ozF	gF	kgF	N	kN	lbF	kgF	N	kN
MR02-100	100 x 0.05	1600 x 1	50000 x 20	50 x 0.02	500 x 0.2	-	100 x 0.1	50 x 0.05	500 x 0.5	-
MR02-200	200 x 0.1	3200 x 2	-	100 x 0.05	1000 x 0.5	1 x 0.0005	200 x 0.2	100 x 0.1	1000 x 1	-
MR02-500	500 x 0.2	8000 x 5	-	250 x 0.1	2500 x 1	2.5 x 0.001	500 x 0.5	250 x 0.2	2500 x 2	-
MR02-1000	1000 x 0.5	16000 x 10	-	500 x 0.2	5000 x 2	5 x 0.002	1000 x 1	500 x 0.5	5000 x 5	-
MR02-2000	2000 x 1	32000 x 20	-	1000 x 0.5	10000 x 5	10 x 0.005	2000 x 2	1000 x 1	10000 x 10	-
MR02-5000	5000 x 2	-	-	2500 x 1	25000 x 10	25 x 0.01	5000 x 5	2500 x 2	-	25 x 0.02
MR02-10000	10000 x 5	-	-	5000 x 2	50000 x 25	50 x 0.02	10000 x 10	5000 x 5	-	50 x 0.05

6 SERIES R03 FORCE SENSORS



6.1 Unpacking and Assembly

Carefully remove the sensor from the box. Extra care should be taken for very low capacity models. No assembly is required.

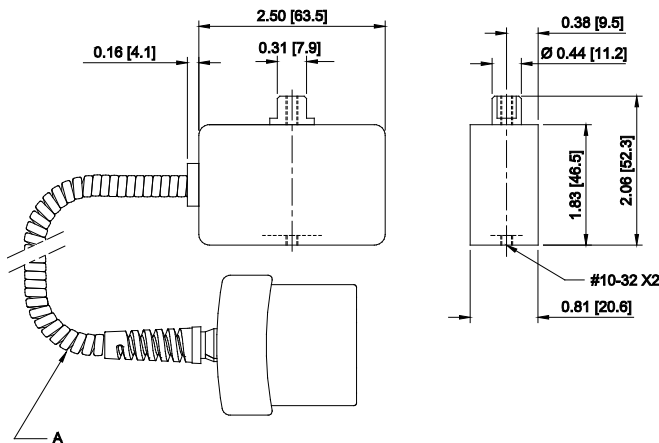
6.2 Overview

Tension and compression force may be applied to the threaded holes in the load cell shaft and opposite flat surface. Attachments may be threaded into these holes. **Finger-tighten only.** These holes also allow for mounting as required.

6.3 Specifications

Accuracy:	±0.15% of full scale
Safe overload:	MR03-025 – MR03-2: 200% of full scale MR03-5 – MR03-100: 150% of full scale
Operating temperature:	40°F – 100°F [5°C – 38°C]
Operating humidity:	96% max. (non-condensing)
Weight:	0.4 lb [0.2 kg]

6.4 Dimensions (in[mm])



Model No.	A
MR03-XXX	24 in [610 mm], coiled, when retracted 10 ft [3 m], coiled, when stretched
MR03-XXX-1	10 in [254 mm], straight

6.5 Capacity x Resolution

Model No.	With Model M71 / M51 Indicator						With Model M31 Indicator			
	lbF	ozF	gF	kgF	N	mN	lbF	gF	kgF	N
MR03-025	0.25 x 0.0001	4 x 0.002	100 x 0.05	-	1 x 0.0005	1000 x 0.5	0.25 x 0.0002	100 x 0.1	-	1 x 0.001
MR03-05	0.5 x 0.0002	8 x 0.005	250 x 0.1	-	2.5 x 0.001	2500 x 1	0.5 x 0.0005	250 x 0.2	-	2.5 x 0.002
MR03-2	2 x 0.001	32 x 0.02	1000 x 0.5	1 x 0.0005	10 x 0.005	-	2 x 0.002	-	1 x 0.001	10 x 0.01
MR03-5	5 x 0.002	80 x 0.05	2500 x 1	2.5 x 0.001	25 x 0.01	-	5 x 0.005	-	2.5 x 0.002	25 x 0.02
MR03-10	10 x 0.005	160 x 0.1	5000 x 2	5 x 0.002	50 x 0.02	-	10 x 0.01	-	5 x 0.005	50 x 0.05
MR03-20	20 x 0.01	320 x 0.2	10000 x 5	10 x 0.005	100 x 0.05	-	20 x 0.02	-	10 x 0.01	100 x 0.1
MR03-50	50 x 0.02	800 x 0.5	25000 x 10	25 x 0.01	250 x 0.1	-	50 x 0.05	-	25 x 0.02	250 x 0.2
MR03-100	100 x 0.05	1600 x 1	50000 x 20	50 x 0.02	500 x 0.2	-	100 x 0.1	-	50 x 0.05	500 x 0.5

7 SERIES R04 FORCE SENSORS



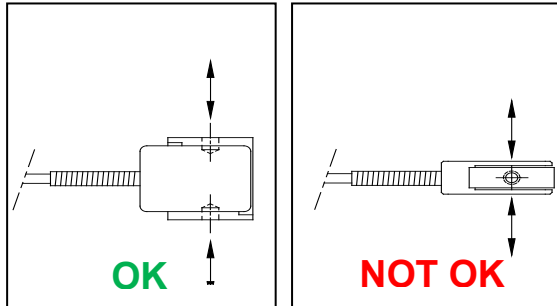
7.1 Unpacking and Assembly

Carefully remove the sensor from the box. Extra care should be taken for very low capacity models. No assembly is required.

7.2 Overview

Tension and compression force may be applied to the surfaces with threaded holes. Attachments may be threaded into these holes.

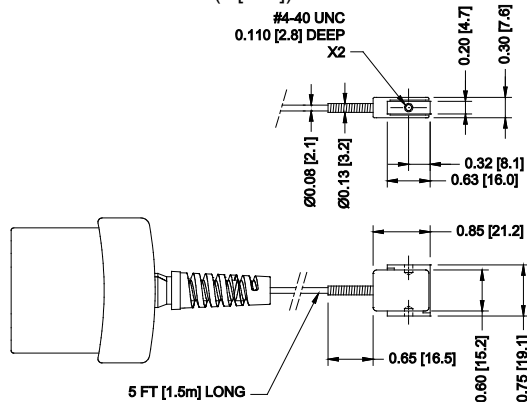
Finger-tighten only. These holes also allow for mounting as required.



7.3 Specifications

Accuracy: ±0.2% of full scale
 Safe overload: 200% of full scale
 Operating temperature: 40°F – 100°F [5°C – 38°C]
 Operating humidity: 96% max. (non-condensing)
 Weight: 0.015 lb [0.007 kg]

7.4 Dimensions (in[mm])



7.5 Capacity x Resolution

Model No.	With Model M71 / M51 Indicator						With Model M31 Indicator			
	lbF	ozF	gF	kgF	N	mN	lbF	gF	kgF	N
MR04-025	0.25 x 0.0001	4 x 0.002	100 x 0.05	-	1 x 0.0005	1000 x 0.5	0.25 x 0.0002	100 x 0.1	-	1 x 0.001
MR04-05	0.5 x 0.0002	8 x 0.005	250 x 0.1	-	2.5 x 0.001	2500 x 1	0.5 x 0.0005	250 x 0.2	-	2.5 x 0.002
MR04-2	2 x 0.001	32 x 0.02	1000 x 0.5	1 x 0.0005	10 x 0.005	-	2 x 0.002	-	1 x 0.001	10 x 0.01
MR04-5	5 x 0.002	80 x 0.05	2500 x 1	2.5 x 0.001	25 x 0.01	-	5 x 0.005	-	2.5 x 0.002	25 x 0.02
MR04-10	10 x 0.005	160 x 0.1	5000 x 2	5 x 0.002	50 x 0.02	-	10 x 0.01	-	5 x 0.005	50 x 0.05
MR04-20	20 x 0.01	320 x 0.2	10000 x 5	10 x 0.005	100 x 0.05	-	20 x 0.02	-	10 x 0.01	100 x 0.1
MR04-50	50 x 0.02	800 x 0.5	25000 x 10	25 x 0.01	250 x 0.1	-	50 x 0.05	-	25 x 0.02	250 x 0.2
MR04 -100	100 x 0.05	1600 x 1	50000 x 20	50 x 0.02	500 x 0.2	-	100 x 0.1	-	50 x 0.05	500 x 0.5

8 SERIES R05 FORCE SENSORS



8.1 Unpacking and Assembly

Carefully remove the sensor from the box. No assembly is required.

8.2 Overview

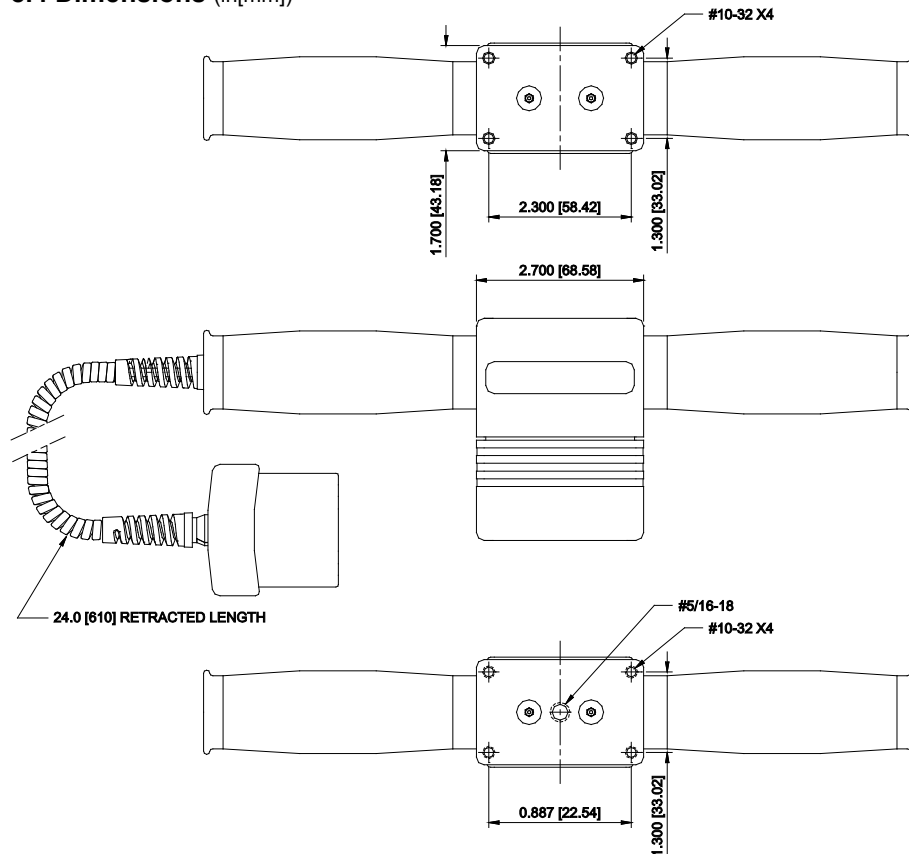
Designed for pull and push testing. Firmly grip the handles when producing tension or compression force. Force may be applied to the surface with threaded hole. Attachments may be threaded into

these holes. **Finger-tighten only.**

8.3 Specifications

Accuracy: $\pm 0.15\%$ of full scale
 Safe overload: 150% of full scale
 Operating temperature: 40°F – 100°F [5°C – 38°C]
 Operating humidity: 96% max. (non-condensing)
 Weight: 2 lb [0.9 kg]

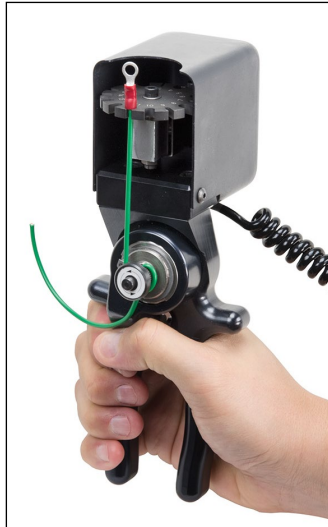
8.4 Dimensions (in[mm])



8.5 Capacity x Resolution

Model No.	With Model M7I / M5I Indicator					With Model M3I Indicator		
	lbF	ozF	kgF	N	kN	lbF	kgF	N
MR05-500	500 x 0.2	8000 x 5	250 x 0.1	2500 x 1	2.5 x 0.001	500 x 0.5	250 x 0.2	2500 x 2

9 SERIES R06 FORCE SENSORS



9.1 Overview

The MR06-200 is designed for field pull testing of crimped wire terminals. Carefully remove the sensor from the box. No assembly is required.

9.2 Instructions

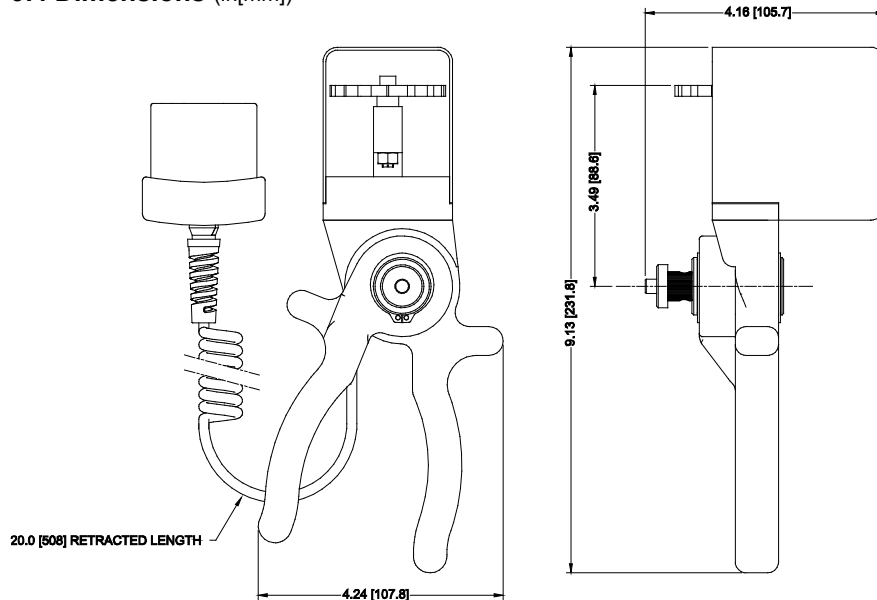
Rotate the upper grip to an appropriately sized slot. Depress the cam shaft button, located in the tensioning mechanism, and insert the end of the wire sample in the hole located in the cam shaft. Release the cam shaft button. Wrap the wire at least one full clockwise turn around the cam shaft. Then insert the terminal lead in the slot on the upper grip.

Begin to compress and release the handles slowly. Tension force values will be displayed on the indicator. After the test is complete, remove any debris from the upper grip assembly, and depress the button on the cam shaft to remove the wire.

9.3 Specifications

Accuracy:	±0.5% of full scale
Safe overload:	150% of full scale
Operating temperature:	40°F – 100°F [5°C – 38°C]
Operating humidity:	96% max. (non-condensing)
Weight:	2.5 lb [1.2 kg]

9.4 Dimensions (in[mm])



9.5 Capacity x Resolution

Model No.	With Model M71 / M51 Indicator					With Model M31 Indicator		
	lbF	ozF	kgF	N	kN	lbF	kgF	N
MR06-200	200 x 0.1	3200 x 2	100 x 0.05	1000 x 0.5	1 x 0.0005	200 x 0.2	100 x 0.1	1000 x 1

10 SERIES FS05 FORCE SENSORS



10.1 Unpacking and Assembly

Carefully remove the sensor from the box. Remove the red protective cap covering the circuit board. No assembly is required.



10.2 Installing to Model F105 / F305 / F505 / F505H Test Frames

Series FS05 force sensors mount directly to the crosshead. Match the gold-plated pads on the top surface of the load cell block with the pins in the underside of the crosshead, as shown at left.



While holding the force sensor in place with one hand, use an Allen wrench with the other hand to tighten the screw that joins the crosshead to the force sensor, as shown at left.

Optionally cover the screw head with the included black plastic cap.

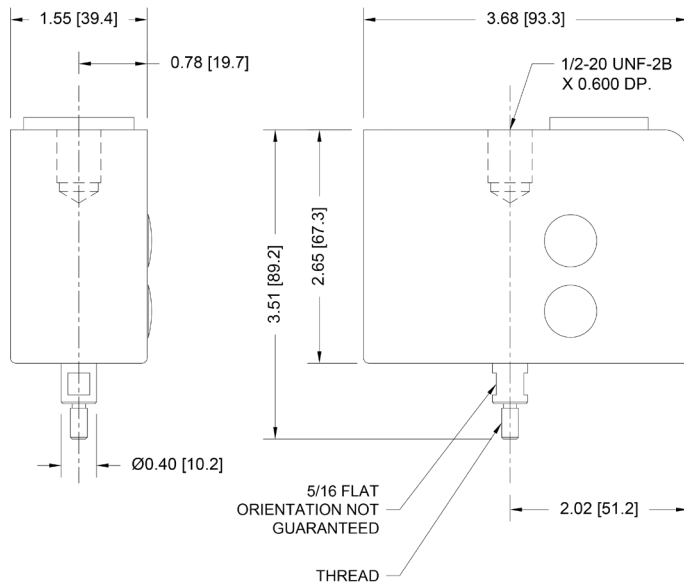
10.3 Overview

Series FS05 is compatible with Series F force testers only. Tension and compression force may be applied to the threaded load cell shaft. Attachments may be threaded onto the shaft. **Finger-tighten only.**

10.4 Specifications

Accuracy:	±0.1% of full scale
Safe overload:	150% of full scale
Operating temperature:	40°F – 100°F [5°C – 38°C]
Operating humidity:	96% max. (non-condensing)
Weight:	FS05-012 – FS05-100: 1.2 lb [0.5 kg] FS05-200 – FS05-500: 1.3 lb [0.6 kg]

10.5 Dimensions (in[mm])



Model No.	Thread
FS05-012 – FS05-100	#10-32 UNF
FS05-200 – FS05-500	5/16-18 UNC

10.6 Capacity x Resolution

Model No.	lbF	ozF	gF	kgF	N	Kn	mN
FS05-012	0.12 x 0.00002	2 x 0.0005	50 x 0.01	–	0.5 x 0.0001	–	500 x 0.1
FS05-025	0.25 x 0.0001	4 x 0.002	100 x 0.05	–	1 x 0.0005	–	1000 x 0.5
FS05-05	0.5 x 0.0002	8 x 0.005	250 x 0.1	–	2.5 x 0.001	–	2500 x 1
FS05-2	2 x 0.001	32 x 0.02	1000 x 0.5	1 x 0.0005	10 x 0.005	–	–
FS05-5	5 x 0.002	80 x 0.05	2500 x 1	2.5 x 0.001	25 x 0.01	–	–
FS05-10	10 x 0.005	160 x 0.1	5000 x 2	5 x 0.002	50 x 0.02	–	–
FS05-20	20 x 0.01	320 x 0.2	10000 x 5	10 x 0.005	100 x 0.05	–	–
FS05-50	50 x 0.02	800 x 0.5	25000 x 10	25 x 0.01	250 x 0.1	–	–
FS05-100	100 x 0.05	1600 x 1	50000 x 20	50 x 0.02	500 x 0.2	–	–
FS05-200	200 x 0.1	3200 x 2	–	100 x 0.05	1000 x 0.5	1 x 0.0005	–
FS05-300	300 x 0.1	4800 x 2	–	150 x 0.05	1500 x 0.5	1.5 x 0.0005	–
FS05-500	500 x 0.2	8000 x 5	–	250 x 0.1	2500 x 1	2.5 x 0.001	–

10.7 Calibration

Series FS05 force sensors may be calibrated via IntelliMESUR® software, Model M5I indicator, or Model M7I indicator. They may not be calibrated with a Model M3I indicator.

11 SERIES R50 TORQUE SENSORS



11.1 Unpacking and Assembly

Carefully remove the sensor from the box. For models MR50-10Z, MR50-20Z, and MR50-50Z, remove the protective tubing inserted around the chuck. Save it for future transportation needs. No assembly is required.

11.2 Overview

Designed for clockwise and counter-clockwise torque testing. The sensor may be handheld or mounted to a test stand, fixture, or other equipment. Bits or fixtures may be placed in the chuck, although extra care should be taken when handling low capacity models.

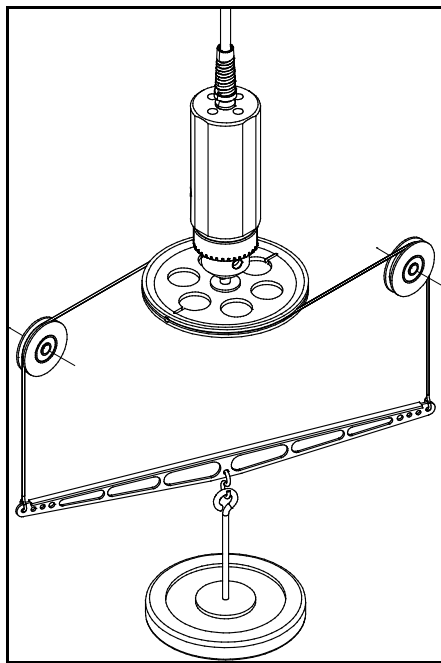
11.3 Specifications

Accuracy:	±0.35% of full scale
Safe overload:	MR50-10Z - MR50-50Z: 300% of full scale
	MR50-12 - MR50-100: 150% of full scale
Chuck opening range:	MR50-10Z - MR50-50Z: 0.062 - 0.375 in [1.6 - 9.5 mm]
	MR50-12 - MR50-100: 0.078 - 0.5 in [2.0 - 12.7 mm]
Operating temperature:	40°F – 100°F [5°C – 38°C]
Operating humidity:	96% max. (non-condensing)
Weight:	From 1.4 lb [0.6 kg]

11.4 Calibration

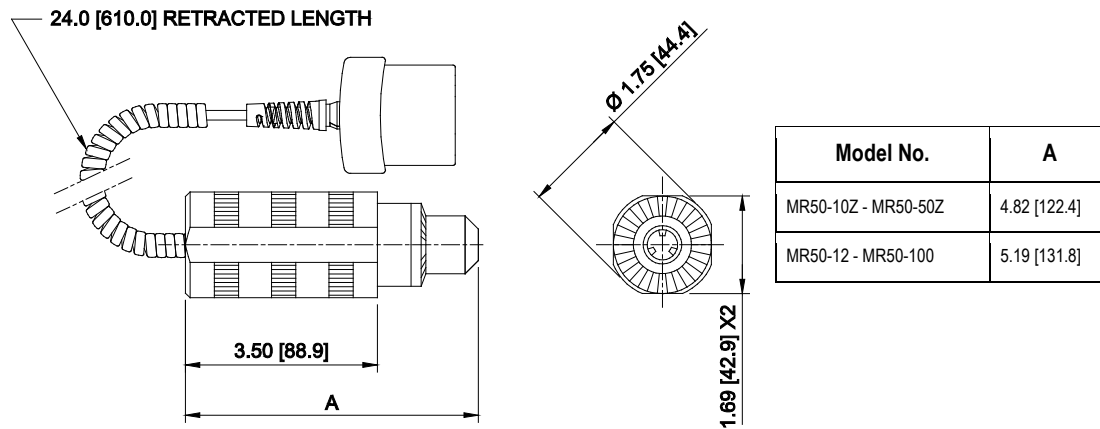
Calibration should be performed in a vertical orientation, especially for sensors with capacities of 50 ozFin [35 Ncm] or less. Horizontal orientation subjects the sensor to side loads resulting from the weight of the chuck and attachments. Such side loads can be significant enough to skew the readings out of tolerance.

The illustration below depicts a recommended vertical setup:



For further calibration instructions, refer to the indicator's user's guide.

11.5 Dimensions (in[mm])



11.6 Capacity x Resolution

Model No.	With Model M7I / M5I indicator								With Model M3I indicator			
	ozFin	lbFin	lbFft	gFcm	kgFmm	Nmm	Ncm	Nm	ozFin	lbFin	kgFmm	Ncm
MR50-10Z	10 x 0.005	-	-	700 x 0.5	7 x 0.005	70 x 0.05	7 x 0.005	-	10 x 0.01	-	7 x 0.005	7 x 0.005
MR50-20Z	20 x 0.01	-	-	1400 x 1	14 x 0.01	140 x 0.1	14 x 0.01	-	20 x 0.02	-	14 x 0.01	14 x 0.01
MR50-50Z	50 x 0.02	-	-	3600 x 2	36 x 0.02	350 x 0.2	35 x 0.02	-	50 x 0.05	-	36 x 0.05	35 x 0.05
MR50-12	-	12 x 0.005	1 x 0.0005	-	140 x 0.1	-	135 x 0.1	1.35 x 0.001	-	12 x 0.01	140 x 0.1	135 x 0.1
MR50-50	-	50 x 0.02	4 x 0.002	-	580 x 0.5	-	570 x 0.5	5.7 x 0.005	-	50 x 0.05	580 x 0.5	570 x 0.5
MR50-100	-	100 x 0.05	8 x 0.005	-	1150 x 0.5	-	1150 x 0.5	11.5 x 0.005	-	100 x 0.1	1150 x 1	1150 x 1

12 SERIES R51 TORQUE SENSORS



12.1 Unpacking and Assembly

Carefully remove the sensor from the box. Series R51 sensors are available with three interchangeable chuck attachments and bit holder. To attach the chuck or bit holder, align the pin located on the end of the sensor body with the hole located on the attachment (see Fig. 10.1). Thread the ring onto the sensor body to keep the attachment in place.

12.2 Overview

Designed for clockwise and counter-clockwise torque testing. The sensor may be handheld or mounted to a test stand, fixture, or other equipment. Bits or fixtures may be placed in the chuck, although extra care should be taken when handling low-capacity models.



Fig. 10.1
The attachment and main sensor body mate with a pin and threaded ring.

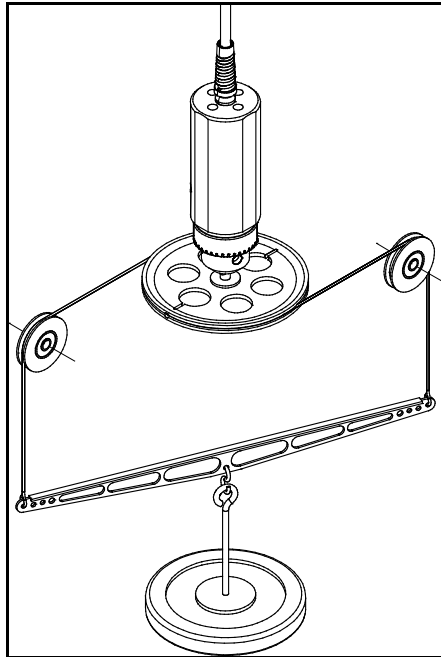
12.3 Specifications

Accuracy:	±0.2% of full scale
Safe overload:	MR50-10Z - MR50-50Z: 300% of full scale
	MR50-12 - MR50-100: 150% of full scale
Chuck opening range:	MR50-10Z - MR50-50Z: 0.062 - 0.375 in [1.6 - 9.5 mm]
	MR50-12 - MR50-100: 0.078 - 0.5 in [2.0 - 12.7 mm]
Operating temperature:	40°F – 100°F [5°C – 38°C]
Operating humidity:	96% max. (non-condensing)
Weight:	From 1.4 lb [0.6 kg]

12.4 Calibration

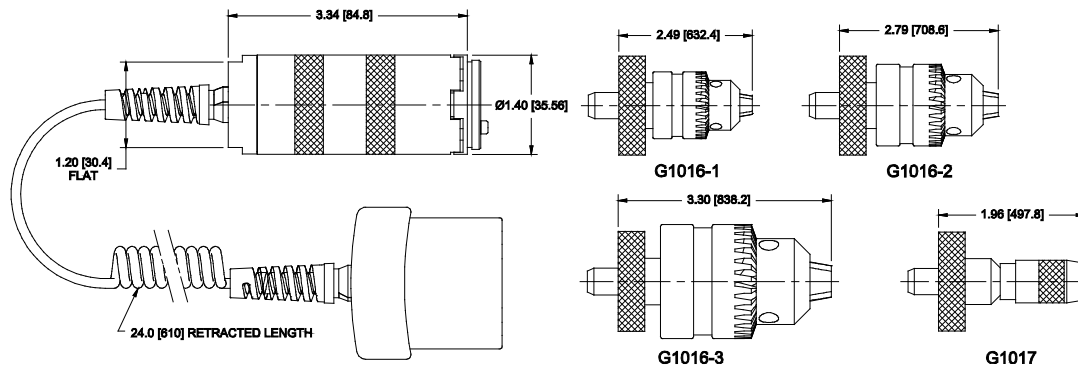
Calibration should be performed in a vertical orientation, especially for sensors with capacities of 50 ozFin [35 Ncm] or less. Horizontal orientation subjects the sensor to side loads resulting from the weight of the chuck and attachments. Such side loads can be significant enough to skew the readings out of tolerance.

The illustration below depicts a recommended vertical setup:



For further calibration instructions, refer to the indicator's user's guide.

12.5 Dimensions (in[mm])



12.6 Capacity x Resolution

Model No.	With Model M71 / M51 indicator								With Model M31 indicator			
	ozFin	lbFin	lbFft	gFcm	kgFmm	Nmm	Ncm	Nm	ozFin	lbFin	kgFmm	Ncm
MR51-10Z	10 x 0.005	-	-	700 x 0.5	7 x 0.005	70 x 0.05	7 x 0.005	-	10 x 0.01	-	7 x 0.005	7 x 0.005
MR51-20Z	20 x 0.01	-	-	1400 x 1	14 x 0.01	140 x 0.1	14 x 0.01	-	20 x 0.02	-	14 x 0.01	14 x 0.01
MR51-50Z	50 x 0.02	-	-	3600 x 2	36 x 0.02	350 x 0.2	35 x 0.02	-	50 x 0.05	-	36 x 0.05	35 x 0.05
MR51-12	-	12 x 0.005	1 x 0.0005	-	140 x 0.1	-	135 x 0.1	1.35 x 0.001	-	12 x 0.01	140 x 0.1	135 x 0.1
MR51-50	-	50 x 0.02	4 x 0.002	-	580 x 0.5	-	570 x 0.5	5.7 x 0.005	-	50 x 0.05	580 x 0.5	570 x 0.5
MR51-100	-	100 x 0.05	8 x 0.005	-	1150 x 0.5	-	1150 x 0.5	11.5 x 0.005	-	100 x 0.1	1150 x 1	1150 x 1

14 SERIES R53 TORQUE SENSORS



14.1 Unpacking and Assembly

Carefully remove the sensor from the box. Install the four posts in the desired positions on the sliders. If alternative gripping fixtures were purchased, install them using the supplied hardware.

14.2 Overview

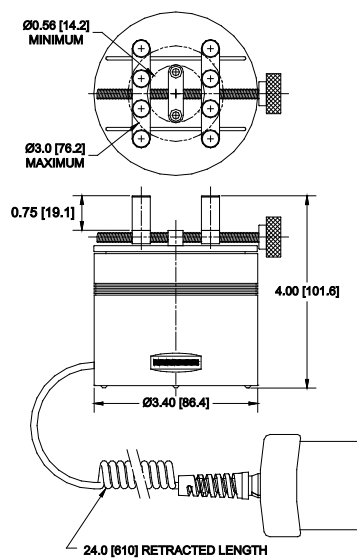
Designed for clockwise and counter-clockwise bottle cap torque testing. Turning the knob moves the sliders along the length of the screw to engage to disengage the sample. The posts or alternative gripping fixtures secure the sample while the cap is twisted by hand. The sensor contains threaded holes on the underside of the base for bench mounting.

14.3 Specifications

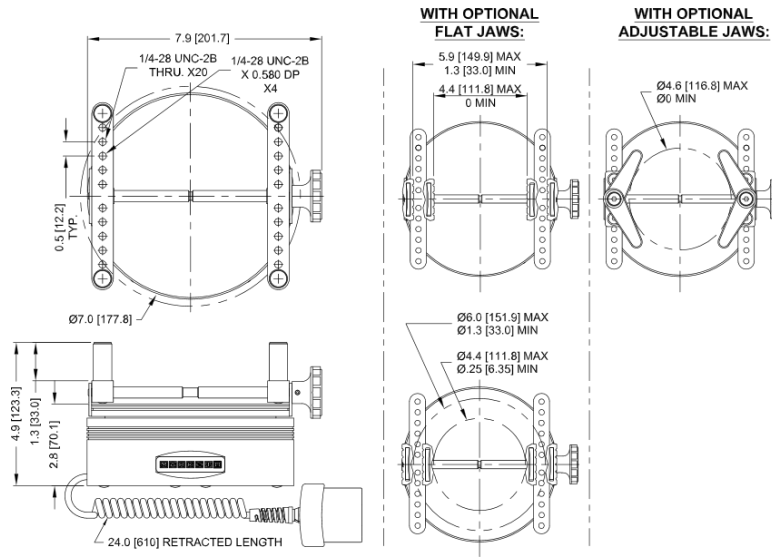
Accuracy: ±0.5% of full scale
 Safe overload: MR53-10Z - MR53-50Z: 300% of full scale / MR53-12 - MR53-100: 150% of full scale
 Operating temperature: 40°F – 100°F [5°C – 38°C]
 Operating humidity: 96% max. (non-condensing)
 Weight: MR53-10Z - MR53-50Z: 2.2 lb [1.0 kg] / MR53-12 - MR53-100: 5.4 lb [2.5 kg]

14.4 Dimensions (in[mm])

MR53-10Z - MR53-50Z:



MR53-12 - MR53-100:



14.5 Capacity x Resolution

Model No.	With Model M7I / M5I indicator								With Model M3I indicator			
	ozFin	lbFin	lbFft	gFcm	kgFmm	Nmm	Ncm	Nm	ozFin	lbFin	kgFmm	Ncm
MR53-10Z	10 x 0.01	-	-	700 x 0.5	7 x 0.005	70 x 0.05	7 x 0.005	-	10 x 0.01	-	7 x 0.005	7 x 0.005
MR53-20Z	20 x 0.02	-	-	1400 x 1	14 x 0.01	140 x 0.1	14 x 0.01	-	20 x 0.02	-	14 x 0.01	14 x 0.01
MR53-50Z	50 x 0.05	-	-	3600 x 5	36 x 0.05	350 x 0.5	35 x 0.05	-	50 x 0.05	-	36 x 0.05	35 x 0.05
MR53-12	-	12 x 0.01	1 x 0.001	-	140 x 0.1	-	135 x 0.1	1.35 x 0.001	-	12 x 0.01	140 x 0.1	135 x 0.1
MR53-50	-	50 x 0.05	4 x 0.005	-	580 x 0.5	-	570 x 0.5	5.7 x 0.005	-	50 x 0.05	580 x 0.5	570 x 0.5
MR53-100	-	100 x 0.1	8 x 0.01	-	1150 x 1	-	1150 x 1	11.5 x 0.01	-	100 x 0.1	1150 x 1	1150 x 1

15 SERIES R55 TORQUE SENSORS



15.1 Unpacking and Assembly

Carefully remove the sensor from the box. No assembly is required.

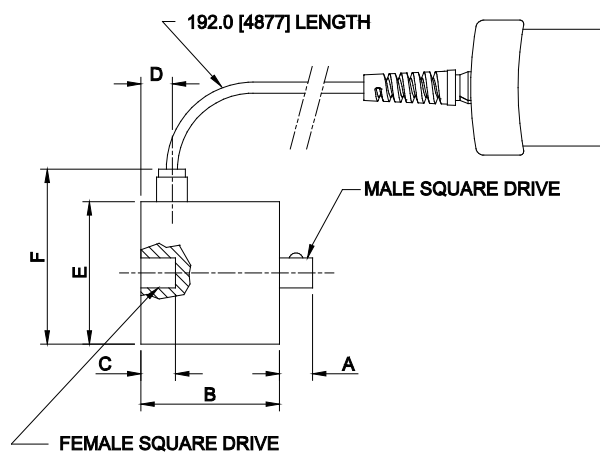
15.2 Overview

Designed for clockwise and counter-clockwise torque testing. Square drives on both ends permit inline use with a torque wrench, or for use in OEM and other applications.

15.3 Specifications

Accuracy:	±0.6% of full scale
Safe overload:	150% of full scale
Operating temperature:	40°F – 100°F [5°C – 38°C]
Operating humidity:	96% max. (non-condensing)
Weight:	MR55-20 – MR55-1000: 1.3 lb (0.6 kg) MR55-5000: 1.9 lb (0.9 kg)

15.4 Dimensions (in[mm])



Model No.	Drive	A	B	C	D	ØE	F
MR55-20	1/4"	0.30 [7.5]	1.73 [44.0]	0.32 [8.0]	0.39 [10.0]	1.77 [45.0]	2.32 [59.0]
MR55-50							
MR55-100							
MR55-200	3/8"	0.41 [10.5]	1.73 [44.0]	0.43 [11.0]			
MR55-400				0.63 [16.0]			
MR55-1000	1/2"	0.59 [15.0]					
MR55-5000	3/4"	0.89 [22.5]	2.11 [53.5]	0.94 [24.0]	0.77 [19.5]	2.01 [51.0]	2.56 [65.0]

15.5 Capacity x Resolution

Model No.	With Model M7I / M5I indicator					With Model M3I indicator		
	lbFin	lbFft	kgFmm	Ncm	Nm	lbFin	kgFmm	Ncm
MR55-20	20 x 0.02	1.5 x 0.002	230 x 0.2	220 x 0.2	2 x 0.002	20 x 0.02	230 x 0.2	220 x 0.2
MR55-50	50 x 0.05	4 x 0.005	580 x 0.5	570 x 0.5	5.7 x 0.005	50 x 0.05	580 x 0.5	570 x 0.5
MR55-100	100 x 0.1	8 x 0.01	1150 x 1	1150 x 1	11.5 x 0.01	100 x 0.1	1150 x 1	1150 x 1
MR55-200	200 x 0.2	16 x 0.02	2300 x 2	2200 x 2	22 x 0.02	200 x 0.2	2300 x 2	2200 x 2
MR55-400	400 x 0.5	32 x 0.05	4600 x 5	4500 x 5	45 x 0.05	400 x 0.5	4600 x 5	4500 x 5
MR55-1000	1000 x 1	80 x 0.1	11500 x 10	11000 x 10	110 x 0.1	1000 x 1	11500 x 10	11000 x 10
MR55-5000	5000 x 5	400 x 0.5	55 x 0.05 kgFm	55000 x 50	550 x 0.5	5000 x 5	55 x 0.05 kgFm	550 x 0.5 Nm

Distributed by: ABQ Industrial LP USA
 Tel: +1 (281) 516-9292 / (888) 275-5772 eFax: +1 (866) 234-0451
 Web: https://www.abqindustrial.net E-mail: info@abqindustrial.net