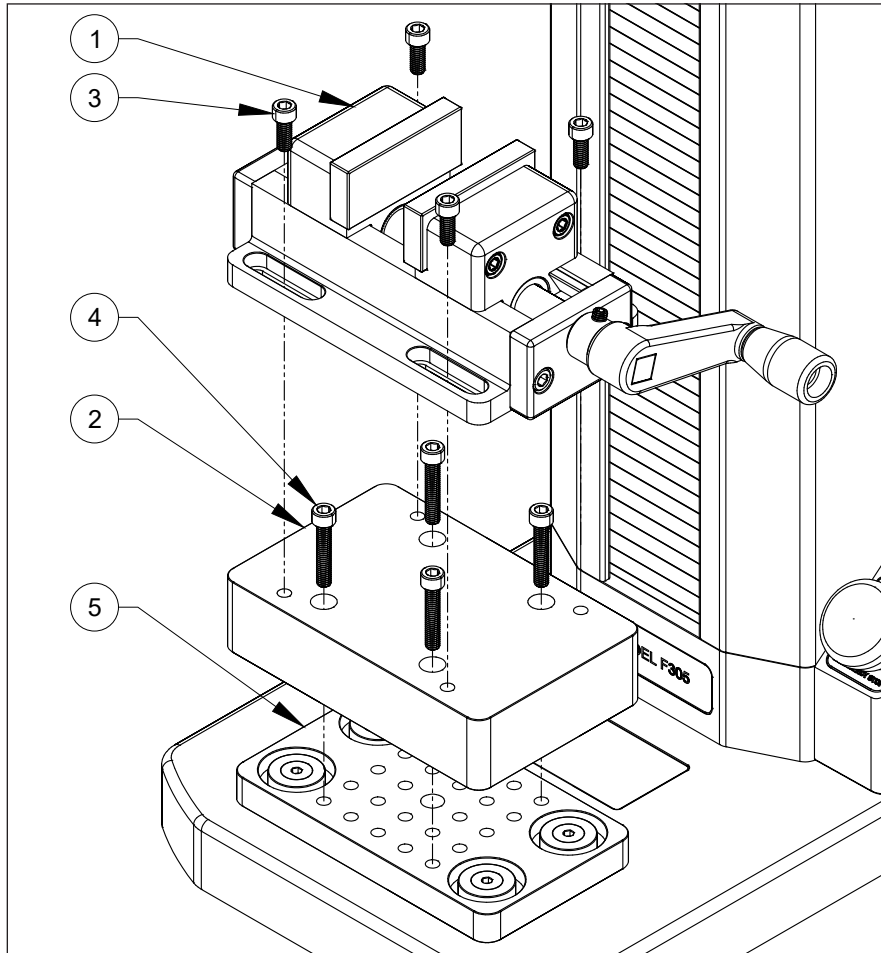


G1106 Vise Grip - Assembly Instructions



The G1106 vise grip is designed to secure test samples for various compression and tension measurement applications. It may be mounted to Mark-10 test stands with a 25-hole base plate, such as pictured at left.

Please follow these assembly instructions:

1. The vise assembly (1) and adapter plate (2) are shipped attached with four screws (3), to avoid damage in transit. Remove these screws to separate the assembly and plate.
2. Attach the adapter plate to the base plate (4) with the four screws (5), included separately.
3. Re-attach the vise assembly to the adapter plate using four screws. The grip is now ready for use.

Use the lever to move the jaws toward and away from each other. The jaws may be removed for modification or replacement, as required for the application. To remove a jaw, remove the two screws securing it to the slider.