

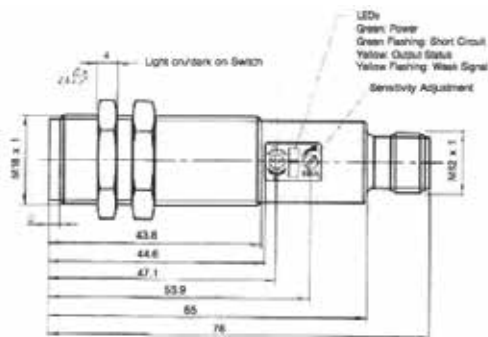
LS-S50MLR Cylindrical Laser Sensor

Operation Manual

LS-S50ML is a laser sensor that can be taught to recognize difference in colors. It is a class 1 red laser with switching frequency of 1.5 KHZ. Contained in a metal housing with 6 ft of cable, which can be utilized for different operations including stroboscopes, counters and panel tachometers. It includes a trimmer potentiometer that is located on the side for minimum and optimum sensitivity adjustments. Can be used in normally closed or normally open operation, NPN type of output, with a yellow LED for signal indication and a green LED for power.

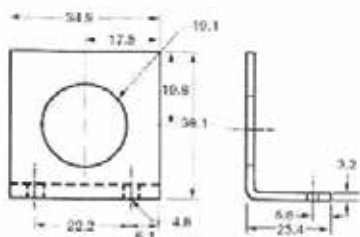
- LED Indication
- Visible Red Light Source
- Rugged Metal Housing
- 6' (1.8 m) cable with quick disconnect connection

DIMENSIONS

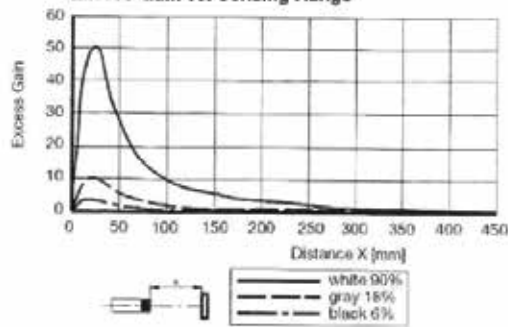


Right Angle Mounting Bracket

Dimensions in mm



Excess Gain vs. Sensing Range



CONNECTIONS

Brown	10-30 VDC
Blue	0V
Black	Signal

SPECIFICATONS

Sensing Range: 1-15.7" (25-400 mm)

Sensing Head: Straight

Output: NPN normally open; NPN normally closed; PNP normally Open; PNP normally closed.

Load Current: 200 mA max

Voltage Drop: $\leq 2.5 V DC$

Short Circuit and Overload Protection: Yes

Reverse Polarity Protection: Yes

Supply Voltage: 10-30 VDC

Voltage Ripple: 10%

LED Indicators: Yes (2)

Current Consumption: $\leq 30 mA$

Operating Mode: Light On/Dark On

Response Time: $\leq 1.0ms$

Switching Frequency: 500 Hz

Standards: EN 60947-5-2

Protection (IEC): IP67

Light Spot Size: 0.02" @ range of 6.7" (0.5 mm @ 170 mm)

Ambient Light Resistance: $\leq 30,000 Lux$

Working Temperature: -13 to 158°F (-25 to 70°C)

Storage Temperature: -22 to 158°F (-30 to 70°C)

Housing Material: Nickel-plated Brass

Weight: 2.1 oz (59.5 g)

Light Source: Visible Red Laser 660 nm

Electrical Connection: Quick Disconnect

Included Accessories: 6.5" cable (1.8 m) with quick disconnect, L style mounting bracket, reflective tape

Warrenty: 1 year