

PROPRIETARY AND CONFIDENTIAL
 THE INFORMATION CONTAINED IN THIS DRAWING IS THE SOLE PROPERTY OF AWB, INC. ANY REPRODUCTION IN PART OR AS A WHOLE WITHOUT THE WRITTEN PERMISSION OF AWB, INC. IS PROHIBITED.

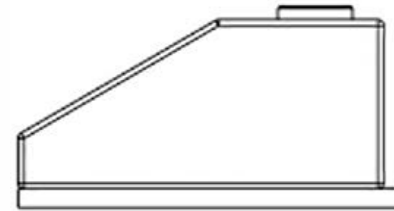
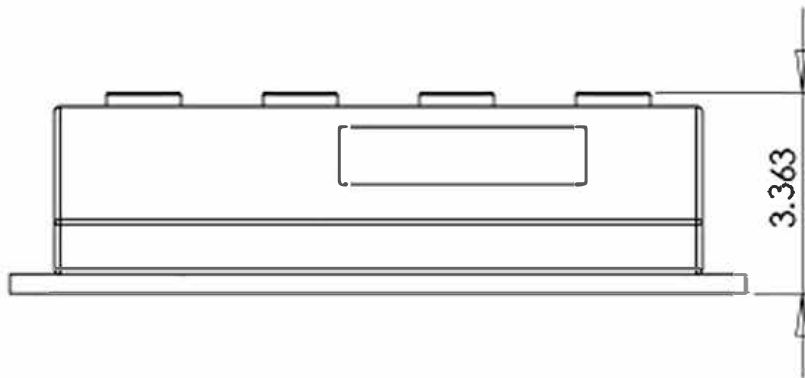
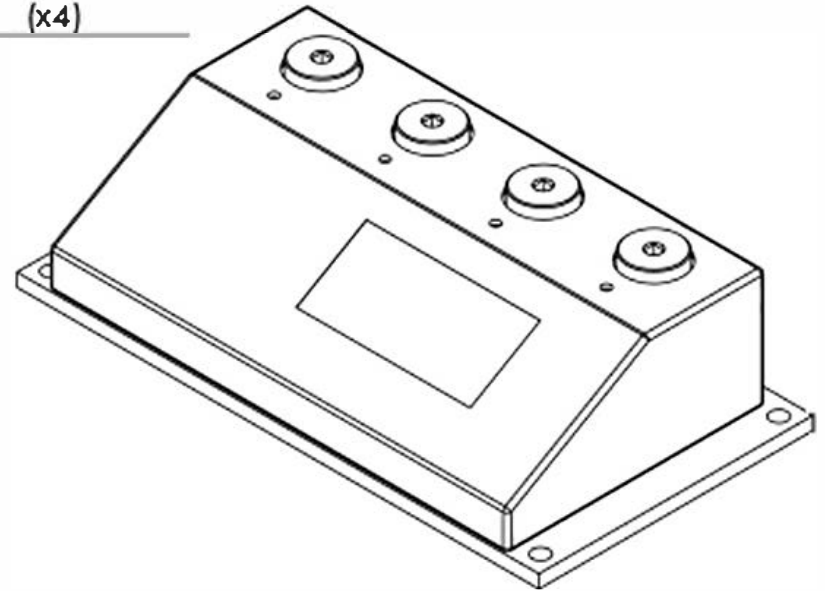
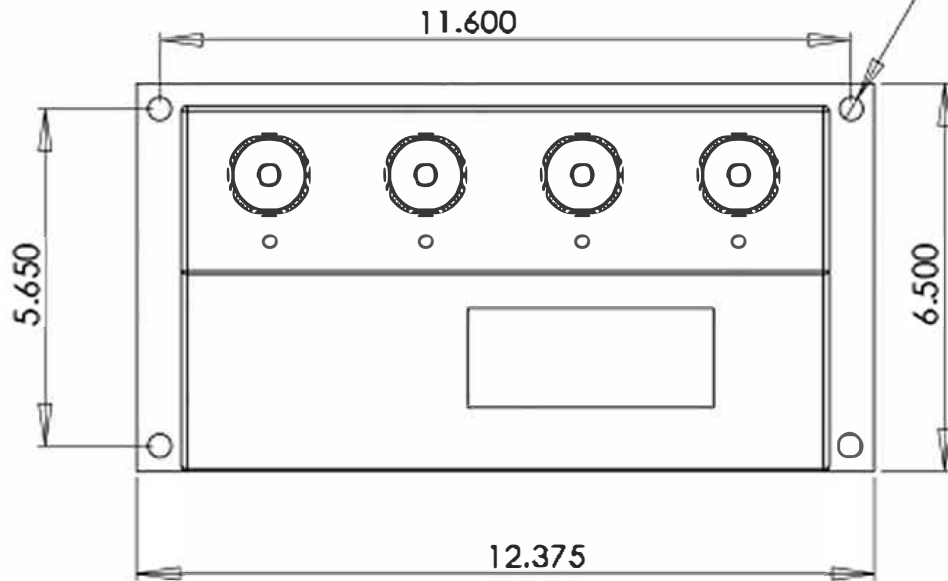
UNLESS OTHERWISE SPECIFIED:
 DIMENSIONS ARE IN INCHES
 TOLERANCES:
 FRACTIONAL: .005
 ANGULAR: MACH: BEND ± TWO PLACE DECIMAL : .01
 THREE PLACE DECIMAL: .005

MATERIAL	NAME	DATE
DRAWN	TLA	(date)
DATE & REV. DATE		(date)
ENG. APPR.	TLA	
MFG. APPR.		

TITLE	
MTM2-DP Spec	
COMMENTS: Preliminary design changes may be necessary.	REV 1
FINISH	SHEET 1 OF 1



Ø0.391
(for 3/8"-16 bolt)
(x4)



PROPRIETARY AND CONFIDENTIAL THE INFORMATION CONTAINED IN THIS DRAWING IS THE SOLE PROPERTY OF AWS, INC. ANY REPRODUCTION IN PART OR AS A WHOLE WITHOUT THE WRITTEN PERMISSION OF AWS, INC. IS PROHIBITED.	UNLESS OTHERWISE SPECIFIED: DIMENSIONS ARE IN INCHES TOLERANCES: FRACTIONAL: ±0.005 ANGULAR: MACH: ±0.01 TWO PLACE DECIMAL ±.01 THREE PLACE DECIMAL ±.005			TITLE: <h2 style="margin: 0;">MTM 4 Mounting</h2>
	DRAWN Latest Rev Date ENO APPR. JWG APPR.	NAME TLA TLA	DATE 11/29/07 11/29/07	COMMENTS: Preliminary design changes may be necessary.
			REV 1	SHEET 1 OF 1