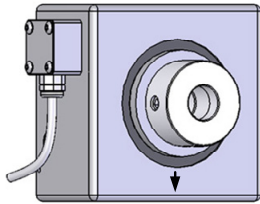
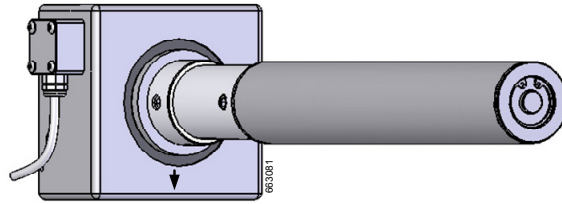


CLS Cantilever Load Sensor

Honigmann



Sensor



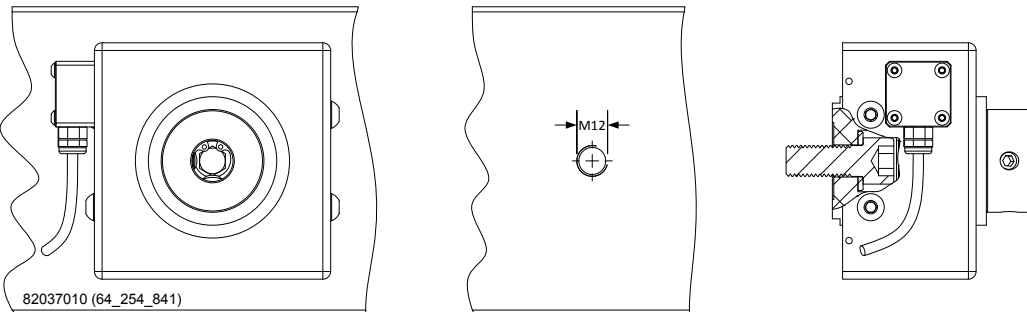
Sensor with mounted roll

Arrow marks the position of the measuring axis

Types of fastening

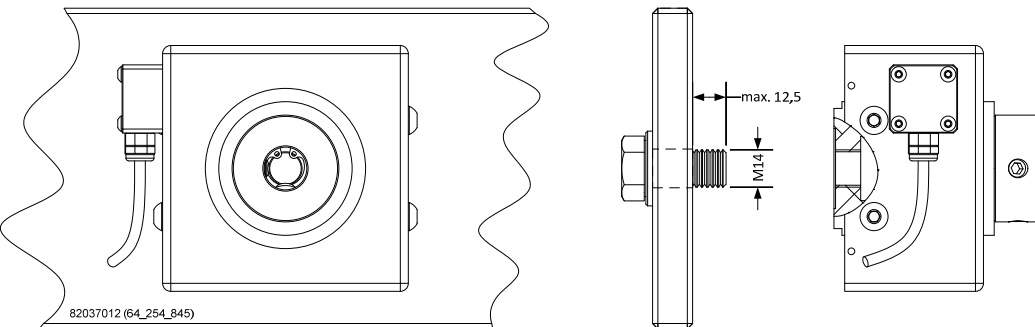
Frontal, central fixing screw M12

- force measuring axis continuously adjustable



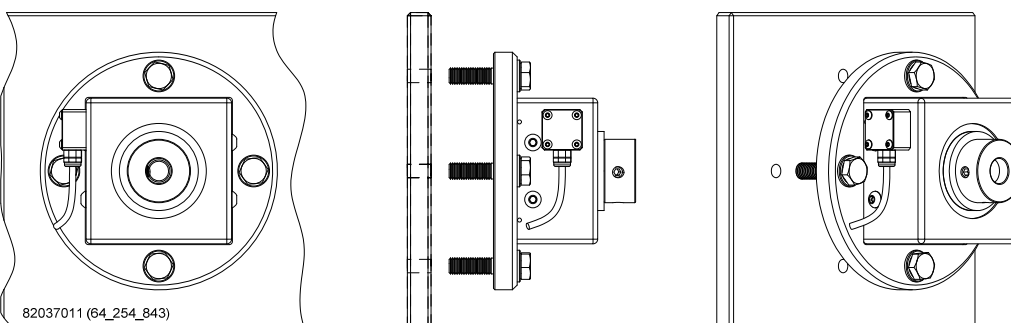
Rear, central fixing screw M14

- force measuring axis continuously adjustable



Frontal, mounting flange

- gradual alignment of the force measuring axis,
depending on the hole pattern in the mounting flange
- defined installation position for series devices



All dimensions in mm

Rated measuring ranges

Nominal force [N]								
LR - Low Range				SR - Standard Range		HR - High Range	XR - Extended Range	
100	200	300	400	500	600	1000	2000	3000

The measuring range of the sensor begins at force's zero point.

Nominal forces differing from the list are available.

Technical Data

Rated measuring ranges (FN)	N	0 - 20 to 0 - 3000
Rated output	mV/V	1,0
Rated output tolerance	%	< ± 0,2
Accuracy class		< 0,5 (#2)
Excitation voltage max.	V	12
Reference excitation voltage	V	10
Input resistance	Ω	350 ± 3
Output resistance	Ω	350 ± 1
Isolation resistance	GΩ	> 10
Rated temperature range	°C	5 to 50, Option: -10 to 70
Operational temperature range	°C	-10 to 70
Storage temperature range	°C	-30 to 70
Reference temperature	°C	23
Temperature influence per 10 K		
- on the zero point (TK0)	% F_N	< ± 0,1
- on the calibration (TKC)	% F_N	< ± 0,15
Creep after 30 minutes	% F_N	< ± 0,05
Linear output signal up to	% F_N	approx. 120
Mech. overload protection takes effect at	% F_N	approx. 130
Overload protected (#1)	% F_N	500 to 1000 (#2)
Ultimate side load	% F_N	300 to 500 (#2)
Deflection at nominal force	mm	0,07 ± 20%
Typ. natural frequency of the sensor	kHz	(#2)
Weight	kg	approx. 3,5
Protection class		IP 50
Sensor housing and nuts		aluminum / VA steel
Connection cable		3m long, flexible, shielded 4 x 0,25mm ² , total Ø 4,7 mm

(#1) radial incoming force without additional bending or tilting moment

(#2) see specification on type label

Connections

Standard: Connection type „O“		Option: Connection type „S“				
<p>81057024</p>	yellow $+U_{Br}$	Excitation	<p>View</p>	1	$+U_{Br}$	Excitation
	brown $-U_{Br}$			2	$-U_{Br}$	
	white $+U_{Sig}$	Output		3	Shield (not connected to housing)	
	green $-U_{Sig}$			4	$+U_{Sig}$	Output
	transp. or black Shield (not connected to housing)	5		$-U_{Sig}$	6	