

7 Piece Fillet Weld Set – 1/8" to 1"

Cat # 8, # 8a, # 8b, # 8c



In your choice of Measurement Scales: Inch (#8) or Metric (#8b).
Markings available on BOTH sides: Inch (#8a) or Metric (#8c).

Use for:

- Checking Fillet Leg Size
- Checking Fillet Throat Size

Features:

- Stainless Steel
- Can Be Certified

G.A.L. Fillet Weld Gage

For Inspection of concave or convex fillet welds.

The G.A.L. Fillet Weld Gage allows fast, accurate measurement of eleven (11) fillet welds sizes: 1/8, 3/16, 1/4, 5/16, 3/8, 7/16, 1/2, 5/8, 3/4, 7/8, and 1", and their metric equivalents, to determinate weld sizes, either concave or convex.

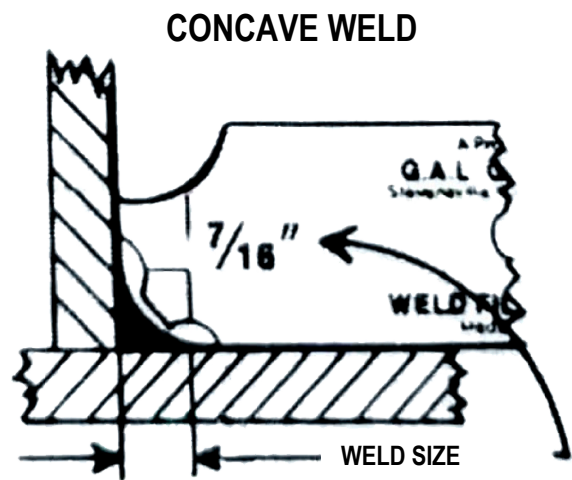
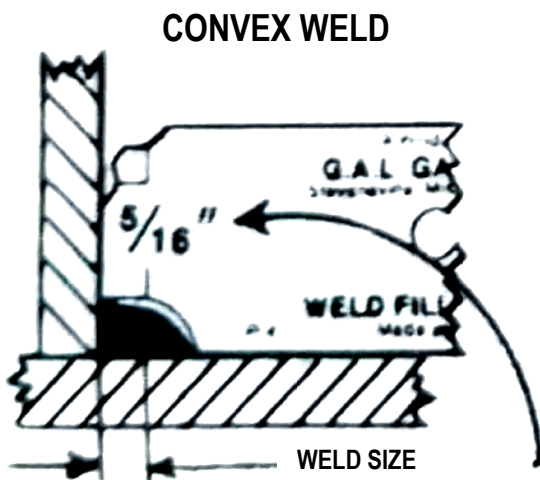
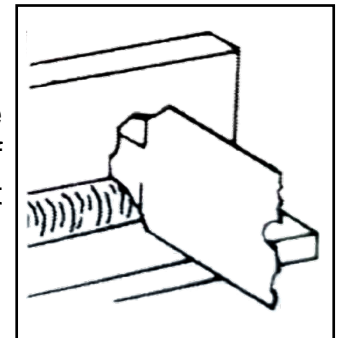
Each gage blade is made of 1 1/4" X 4" cold rolled stainless steel to resist rust and bending. Blades are deburred to remove rough edges. All sizes and numerals are laser engraved. The set of seven blades comes in a handy 2" X 4 1/2" pocket case weighing Only 4 oz.



*Accuracy Guaranteed.
New manufacturing process allows this unsurpassed accuracy of + .005*

G.A.L. Fillet Weld Gage is easy to use

Gage blade must be flush to the base material with the tip touching the vertical member. Use the single arc corners for measuring CONVEX weld. Use the single arc corners for determining if the welds are concave (under size). If they are, more filler material is required to build weld throat to the size where the tip between the double arcs touch.



Place single arc edge flush to base material so blade tip touches vertical member. If tip touches the weld as it touches vertical member, the weld is the size indicated.

Place double arc edge flush to the base material so tip touches vertical member. If the tip between the double arc touches the center of the weld, the weld is the profile desired and is the size indicated.