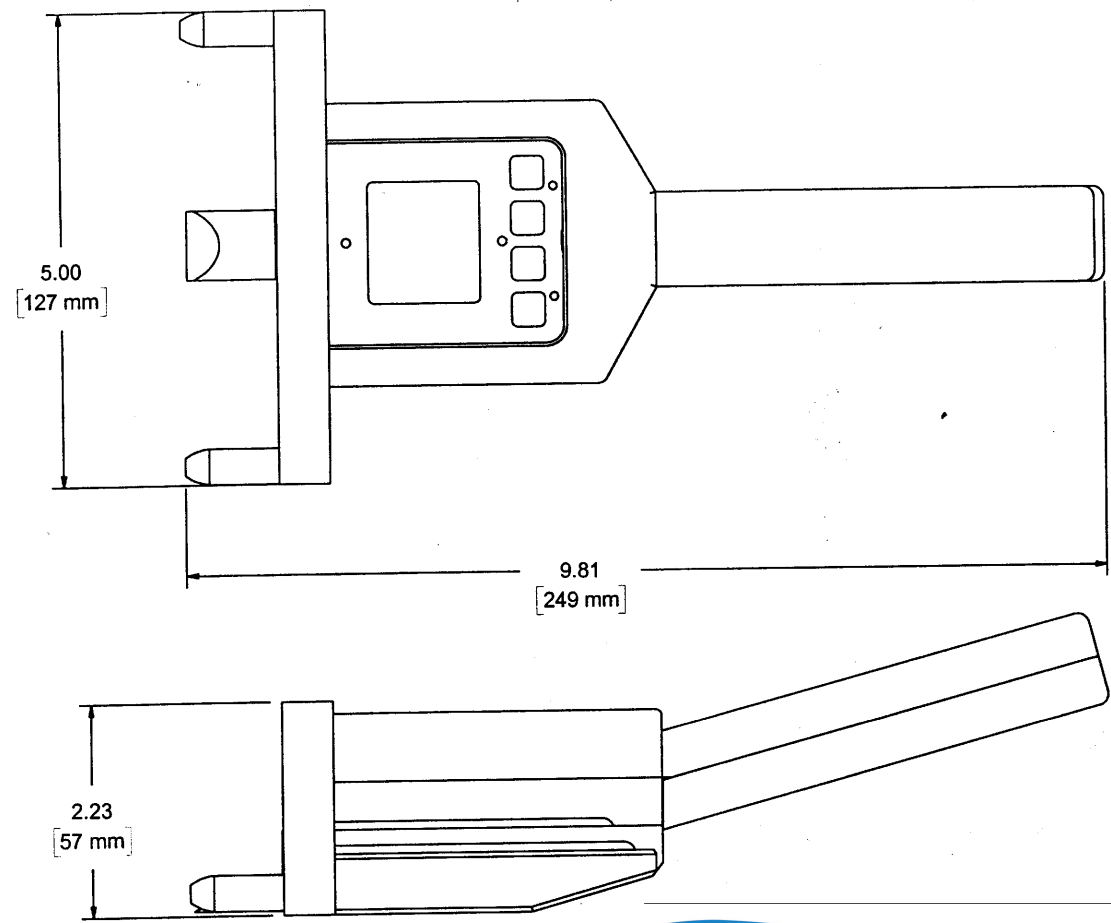



Revisions			
SYM	Description	Date	Approval



Albuquerque Industrial
69-10 108th Street # 2-O
Forest Hills, NY 11375 U.S.A.

www.abqindustrial.net
e-mail: info@abqindustrial.net
Toll Free: +1 (888) 275-5772
Tel: +1 (718) 846-6458
Fax: +1 (718) 846-6459

Material			Finish CLEAR ANODIZE		Heat Treat Weight		
DIMENSIONAL TOLERANCES UNLESS OTHERWISE SPECIFIED			TITLE STX-250 DIGITAL STRAP TENSION METER			 733 South Bowen Street Longmont, CO 80501	
FRAC.	DEC.	ANG.					
± 1/64	± .005	± 30'					
Scale	2:1	No. Req'd	Drawn	SHS	Date	4-7-06	Size
Next Assy			Checked		Date		Drawing Number
			Approved		Date		Issue