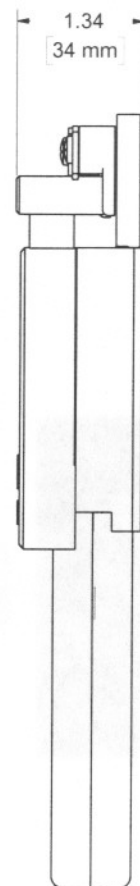
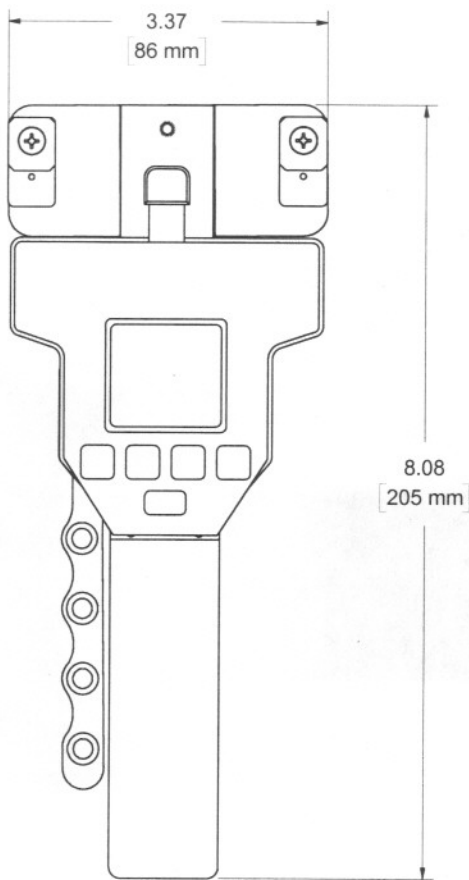


Revisions			
SYM	Description	Date	Approval



Material 6061			Finish ANODIZE BORDEAUX RED		Heat Treat	
DIMENSIONAL TOLERANCES UNLESS OTHERWISE SPECIFIED			TITLE ACX-250 PRECISION, DIGITAL AIRCRAFT CABLE TENSION METER		Weight	
FRAC.	DEC.	ANG.			 733 South Bowen Street Longmont, CO 80501	
± 1/64	± .005	± 30'				
Scale 1:2	No. Req'd		Drawn SHS	Date 4-11-06	Size	Drawing Number
Next Assy			Checked	Date		
			Approved	Date		
					Issue	