

32-1051 REV 0

The lever operated TSA is ideal for quick-action testing of up to 750 lbf of tensile or compressive force. Made of rugged components, this test stand is durable enough for the factory floor, yet precise enough for laboratory environments. The loading lever can be positioned in 30° increments and the adjustable precision ground rack and pinion mechanism assures smooth, precise motion through 6 in of travel. The test stand includes adjustable travel stops and a frictional low force brake. It is available in vertical and horizontal orientations. Use this test stand with Mark-10 force gauges and gripping fixtures to create a complete push/pull testing system.

## Specifications

Load capacity:	750 lbf [3750 N]
Maximum travel:	
With travel stops:	2.75 in [69.9 mm]
Without travel stops:	6 in [152.4 mm]
Loading method:	Rack and pinion, lever can be positioned in 30° increments
Travel rate:	3 in [76.2 mm] per lever rev.
Weight:	
TSA	16 lb [7.3 kg]
TSAH	13 lb [5.9 kg]
Included accessories:	Tool kit, medium hook, large hook, compression plate, force gauge mounting hardware
Warranty	3 years (see individual statement for further details)

## Optional Equipment

Digital travel display TSA001	6 in [150 mm] travel, 0.0005 in [0.01 mm] resolution, 0.001 in [0.03 mm] accuracy, SPC output for data collection.
Horizontal / wall mounting kit TSA002	Converts the TSA to a TSAH
BGI mounting kit AC1004	If a BGI indicator with remote sensor is used with the TSA/TSAH, the BGI can be securely mounted to the side of the column with this adapter



TSA

TSAH

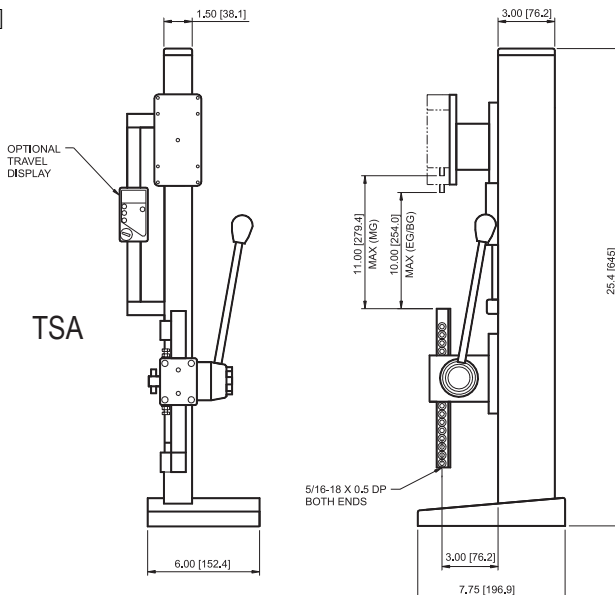
The TSA and TSAH are shown testing the peel force of a sample, with a Series 5 digital force gauge, and film & paper grips

>> Digital travel display

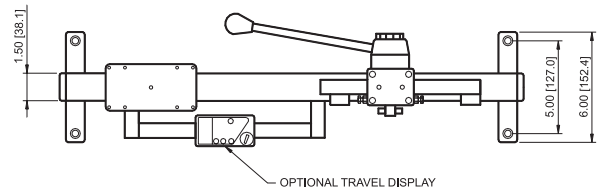


## Dimensions

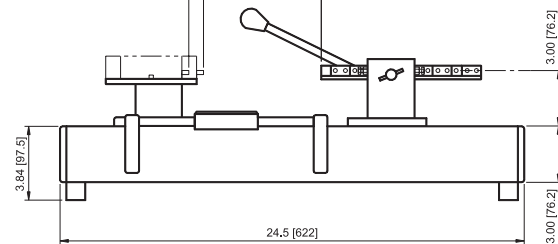
in [mm]



TSA



TSAH



## Ordering Information

Model No.	Description
TSA	Test stand, lever-operated, 750 lbf, vertical
TSAH	Test stand, lever-operated, 750 lbf, horizontal
TSA001	Digital travel display for TSA/TSAH
TSA002	Horizontal / wall mounting kit
AC1004	Mounting kit, BGI to TSA/TSAH