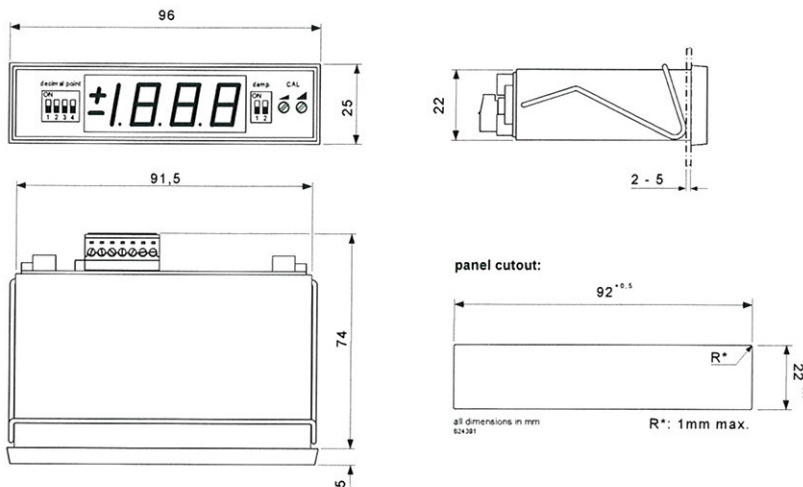


Technical data DPM 502

| | | |
|---|----------------------------------|--|
| Designation | DPM 502 | |
| Display | 7-segment-display, 14mm LED, red | |
| Display range | ±1999 Digit | |
| Measuring inputs (for alternative use) | | |
| Input IN 10V - Input voltage range - Calibration range (@ $V_{in}=5V$) (Potentiometer rough / coarse behind filter pane) | V DC digit | 0 to ± 18 28 to 1080 |
| Input IN 5V - Input voltage range - Calibration range (@ $V_{in}=2,5V$) (Potentiometer rough / coarse behind filter pane) | V DC digit | 0 to ± 9 28 - 1080 |
| Display damping (configuration via DIP switch behind red filter pane) | sec | 0,2 - 4 |
| Additional functions (configuration via DIP switch behind red filter pane) - 3 decimal points selectable | | |
| Supply voltage | V DC | 24 (22,5 ... 24 ... 27,5) |
| Current consumption | mA | approx. 50mA |
| Dimensions | | |
| - Front frame (DIN 43718) | mm | 96 x 24 |
| - Panel cut-out | mm | 92 x 22, Tol. +0,5mm |
| - Mounting depth | mm | 74 |
| Weight | g | approx. 100 |
| Housing | | |
| - Fastening | | spring clip |
| - Protection | | housing IP50, connections IP 00 |
| - Material | | ABS, self-extinguishing |
| Connector | | plug with screw terminals for flexible cable 0,08 to 1,5mm ² |

624395



Technical execution subject to change without prior notice
 Reproduction - in whole, in part or in translation - is prohibited