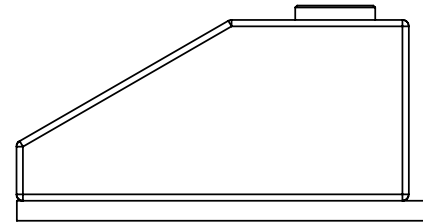
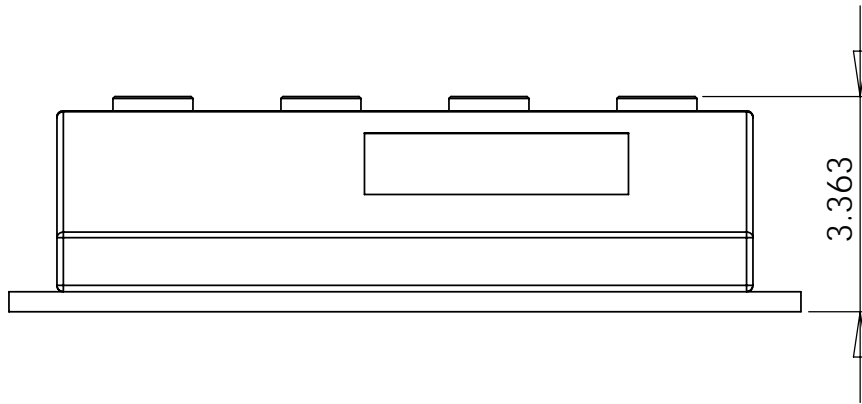
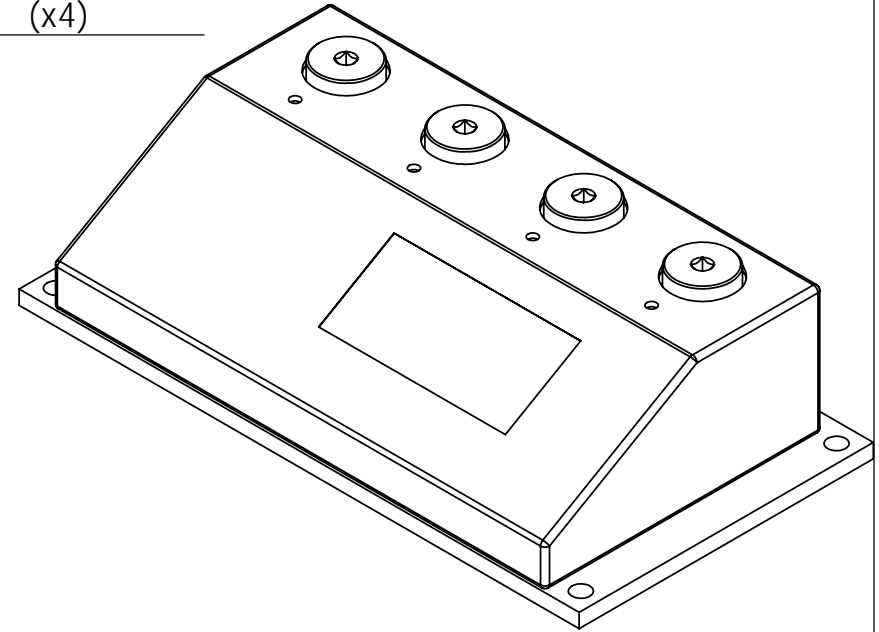
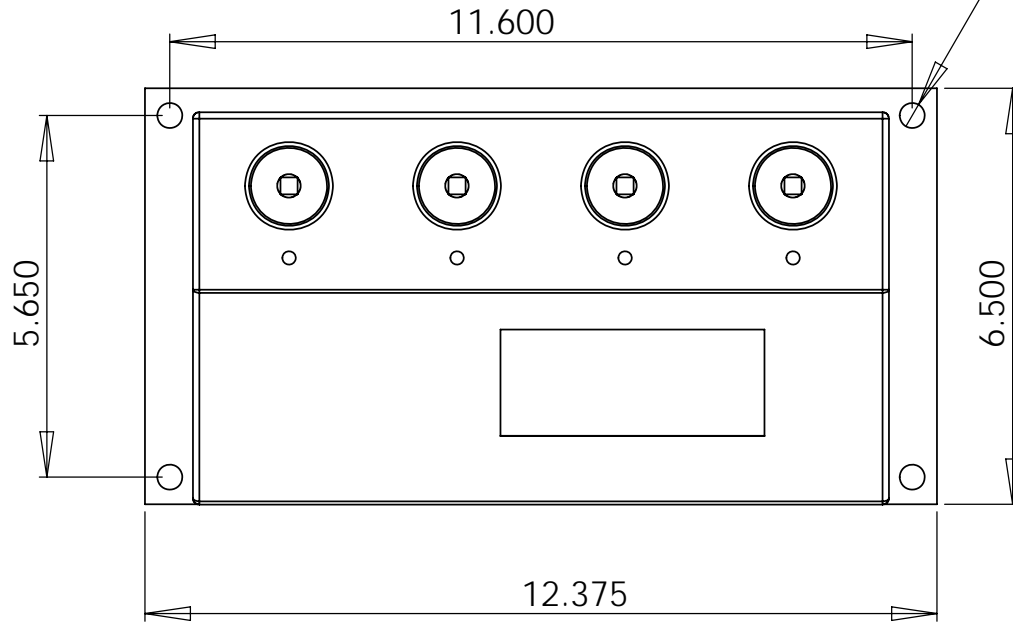


Ø0.391
(for 3/8"-16 bolt)
(x4)



PROPRIETARY AND CONFIDENTIAL

THE INFORMATION CONTAINED IN THIS DRAWING IS THE SOLE PROPERTY OF AWS, Inc. ANY REPRODUCTION IN PART OR AS A WHOLE WITHOUT THE WRITTEN PERMISSION OF AWS, Inc. IS PROHIBITED.

UNLESS OTHERWISE SPECIFIED:

DIMENSIONS ARE IN INCHES
TOLERANCES:
FRACTIONAL ± .005
ANGULAR: MACH± BEND ±
TWO PLACE DECIMAL ± .01
THREE PLACE DECIMAL ± .005

	NAME	DATE
DRAWN	TLA	11/29/07
Latest Rev Date		11/29/07
ENG APPR.	TLA	
MFG APPR.		

TITLE:
MTM 4 Mounting

COMMENTS:
Preliminary design, changes may be necessary.

REV **1**

FINISH:

SHEET 1 OF 1