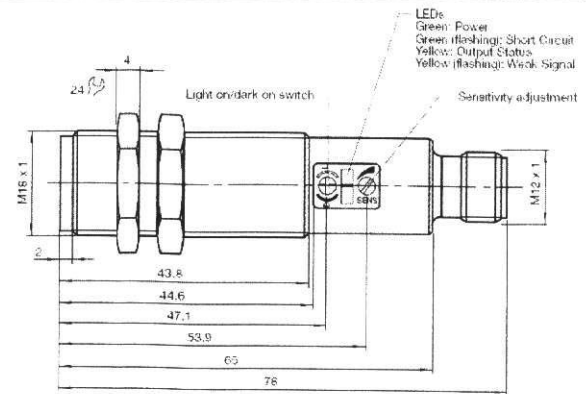


LS-S50MLR 18 mm Cylindrical Laser Sensor



LS-S50MLR 18 mm Cylindrical Laser Sensor

- Visible Red Light Source
- Rugged Metal Housing
- NPN or PNP Connection
- Mounting accessories and cable included

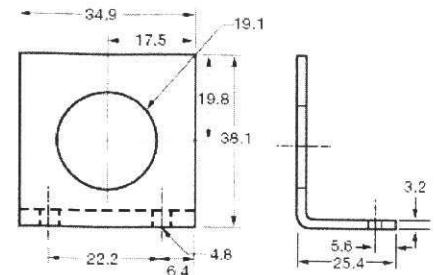


Specifications

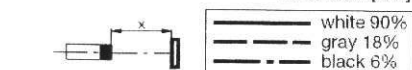
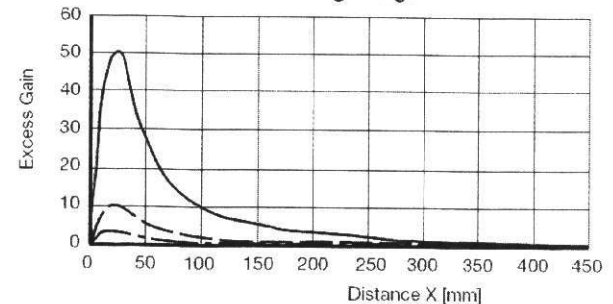
Sensing Range	25-400 mm
Sensing Head	Straight
Output	NPN normally Open NPN normally Closed PNP normally Open PNP normally Closed
Load Current	200 mA max
Voltage Drop	<= 2.5VDC
Short Circuit and Overload Protection	Yes
Reverse Polarity Protection	Yes
Supply Voltage	10-30 VDC
Voltage Ripple	10%
LED Indicators	Yes (2)
Current Consumption	<=30 mA
Operating Mode	Light on/ Dark On
Response Time	<=1.0ms
Switching Frequency	500 Hz
Standards EN 60947-5-2	
Protection (IEC)	IP67
Light Spot Size	~0.5mm at range of 170mm
Ambient Light Resistance	<=30,000 Lux
Working Temperature	-13 F to 158 F
Storage Temperature	-22 F to 158 F
Housing Material	Nickel-plated Brass
Weight	2.1 oz
Light Source	Visible Red Laser 660 nm
Electrical Connection	Quick Disconnect

Right Angle Mounting Bracket

Dimensions in mm

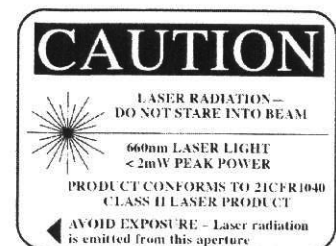


Excess Gain vs. Sensing Range



Connection

Black	Signal
Brown	10VDC~30VDC
Blue	0V



Includes

Part Number	Description
CABLE-LS-S50MLR	6.5 Feet of Black cable with quick disconnect connector
TAPE	Reflective Tape
VT18-8 -400	Sensor mounting bracket Right Angle