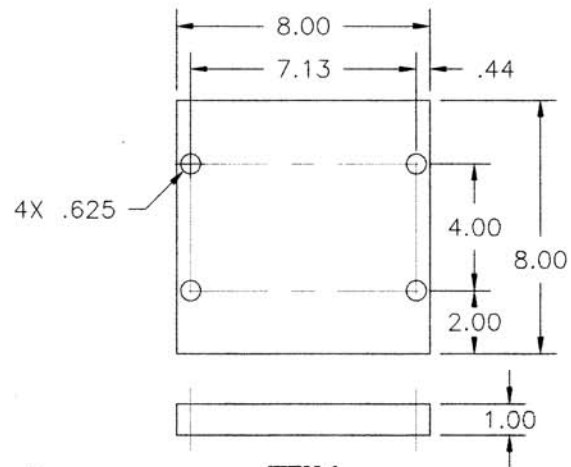
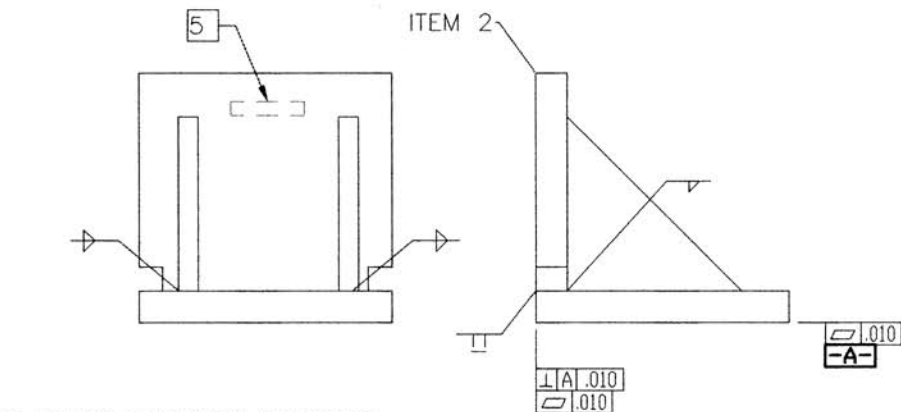


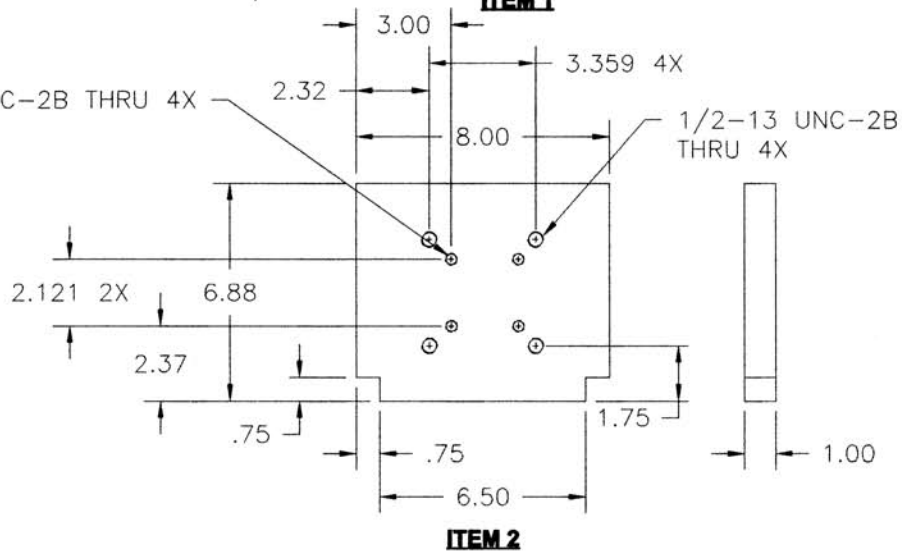
ITEM 3
2 REQ'D



ITEM 1



3/8-16 UNC-2B THRU 4X



ITEM 2

NOTES: UNLESS OTHERWISE SPECIFIED

- 1 MATERIAL; STEEL, 1018.
2. ALL DIM'S APPLY AFTER FINISH.
3. DEBURR AND BREAK ALL SHARP EDGES .005 R MAX.
- 4 FINISH; BLACK ZINC PER ASTM-B633, TYPE II CLASS FE/ZM8, ALL SURFACES.
- 5 INK STAMP WITH PART NO. AND REV. APPROX WHERE SHOWN.

C	12/20/07	ECN 2333		Dk
REV	DATE		DESCRIPTION	INIT
UNLESS OTHERWISE SPECIFIED:			PRODUCT	
UNITS: INCH			BMX	
GEN. TOL: X ±0.5				
FRACTIONS: ±0.01 XX ±0.05				
APPEARANCE: 63/XX ±0.01 2/XXX ±0.005				
FINISH SPEC:			MB-3 MTG BRACKET	
4			100/2500/5000F	
HEAT TREAT			SIZE	DRAWING ID NO:
MATERIAL:			A	D 062128 C
				SHEET
				1 OF 1

THIS DRAWING CONTAINS PROPRIETARY INFORMATION WHICH MAY NOT BE RELEASED IN ANY FORM TO ANY PARTY WITHOUT PRIOR AUTHORIZATION

APPR: *Spivak* 12/24/07
 DRK'D: *West* 12/26/07
 DESIGNED BY: G. CASTLE 7/29/02