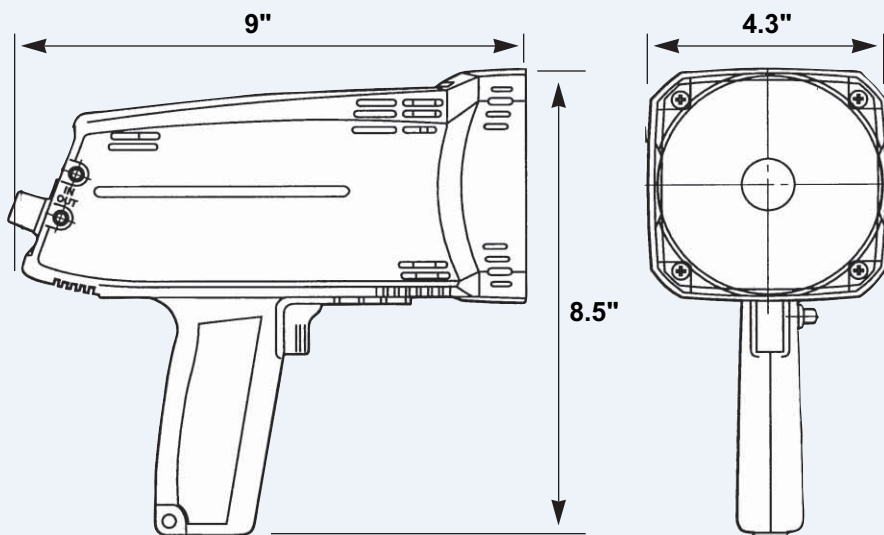


# DT-721/725

## Dimensions



## Specifications

<b>Flash Range</b>	40 – 12,500 FPM	<b>Phase Shift</b>	0 – 359° (Internal Mode)
<b>Accuracy</b>	± 0.02% of reading	<b>Operating Time</b>	1 hour (Model 725 only)
<b>Resolution</b>	(0.1) 40.0 – 4,999.9 (0.2) 5,000.0 – 7,999.8 (0.5) 8,000.0 – 9,999.5 (1.0) 10,000.0 – 12,500.0	<b>Charging Time</b>	15 hours
<b>Display</b>	5-Digit LED, 8 mm high	<b>Low Battery Indicator</b>	Model 725 only
<b>Flash Tube</b>	Xenon, 10 watt	<b>Operating Temperature</b>	32 to 105 °F (0 to 40 °C)
<b>Tube Life</b>	100 million flashes	<b>Weight</b>	
<b>Flash Duration</b>	10 – 15 µs	... Model 721	1.50 lbs. (680 g)
<b>Signal Output</b>	NPN Open Collector, 24 VDC max. at 50 mA (150 µs typical)	... Model 725	2.75 lbs. (1.25 Kg)
		<b>Power Requirements</b>	
		... Model 721	115 VAC ± 10%, 50/60 Hz
		... Model 725	Internal Battery (Lead Acid Rechargeable)

*Specifications subject to change without notice.*

## External Trigger Input Signal

- 12 – 24 V DC thru a 3-wire NPN sensor (requires external power supply)
- 12 V DC thru a 2-wire proximity sensor (Leakage Current 1 mA max. Load current 8 mA min.)
- Switch or Relay Contact